

MENABO

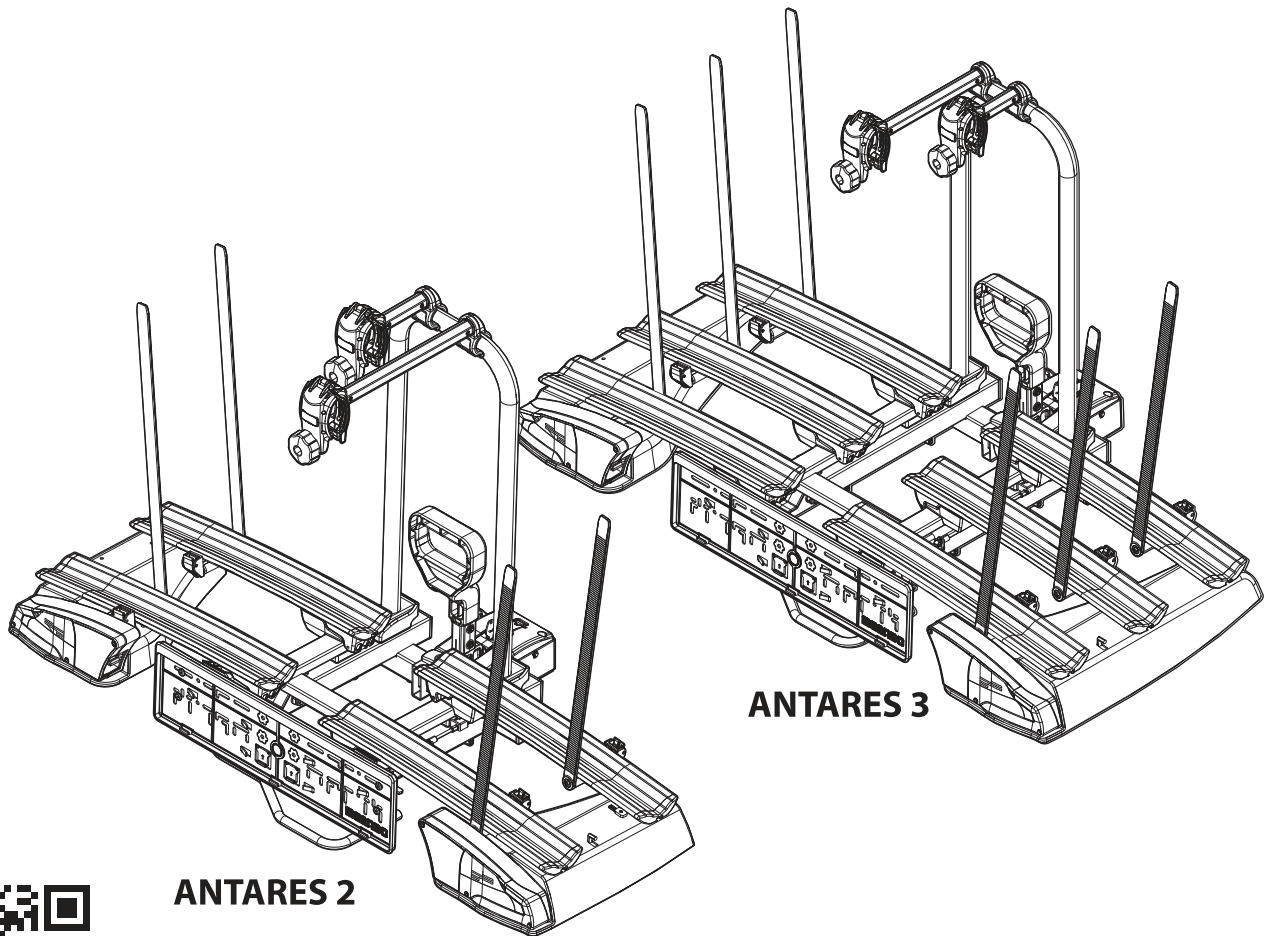
free time on the move

ANTARES 2 ANTARES 3

IT Istruzioni di montaggio
EN Fitting instructions
DE Montageanleitung
FR Instructions de montage
ES Instrucciones de montaje
BG инструкции за сглобяване
CS Návod na montáž
DA Monteringsvejledning
EL Οδηγίες συναρμολόγησης

ET Paigaldusjuhend
FI Asennusohje
HR Uputa za sastavljanje
HU A felszerelés módja
LT Pritvirtinimo instrukcijos
LV Stiprināšanas instrukcija
NL Instrukcja montażu
NO Monteringsveiledning
PL Instrukcja montażu

PT Instruções de Montagem
RO Instrucțiuni de montare
RU Инструкции по установке
SK Návod na montáž
SL Navodila za pritrjevanje
SV Monteringsanvisning
TK Uydurma talimat
ZH 裝修指導
AR تعليمات التجميل



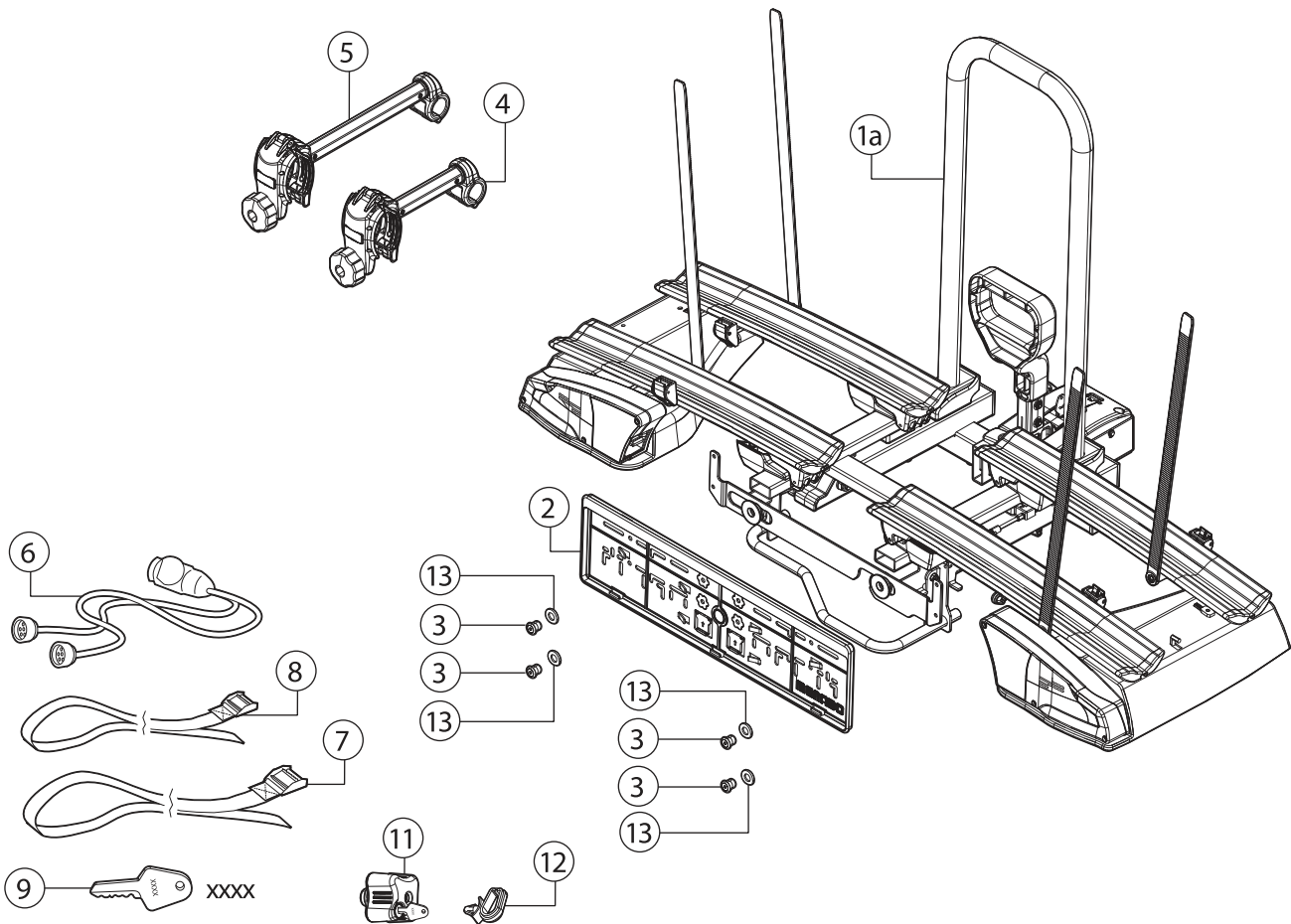
Made in Italy



ANTARES 2

N.	[IT]Componenti (Inclusi) [EN]Components (Included) [FR]Composants (Comprises) [DE]Die Komponenten (im Lieferumfang enthalten) [ES]Componentes (Incluido)	Q.
1a		1
2		1
3		4
4		1
5		1
6		1
7		1
8		1
9		2
11		2
12		10
13		4

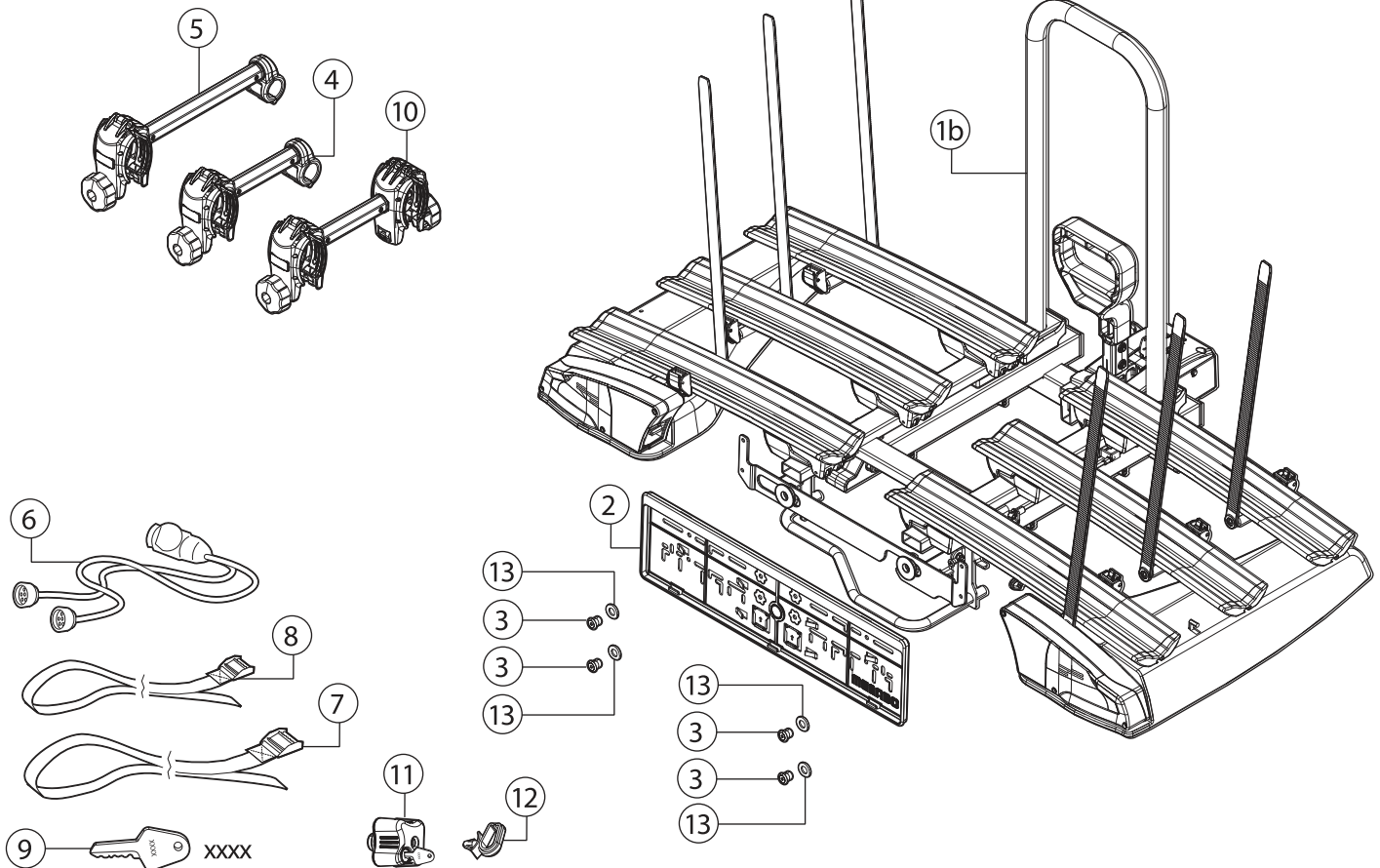
N.	[IT]Ricambi (A Richiesta) [EN]Spare Parts (Made to order) [FR]Pièces de rechange (Sur commande) [DE]E Teile (auf Anfrage) [ES]Piezas de recambio (Previa solicitud)	Codice-Code-Código	Q.
2		70007500000	1
3		700044400000	4
13			4
4		70003200000	1
5		70017800000	1
6		700033600000	1
7		70001100000	1
8		700033400000	1
11		000026400000	1
12		700024000000	2
A		700033700000	1
B		700033800000	1
C		700044300000	1
D		700044200000	1
E		700034100000	2
F		700031500000	1
G		700031300000	1
H		700031400000	1



ANTARES 3

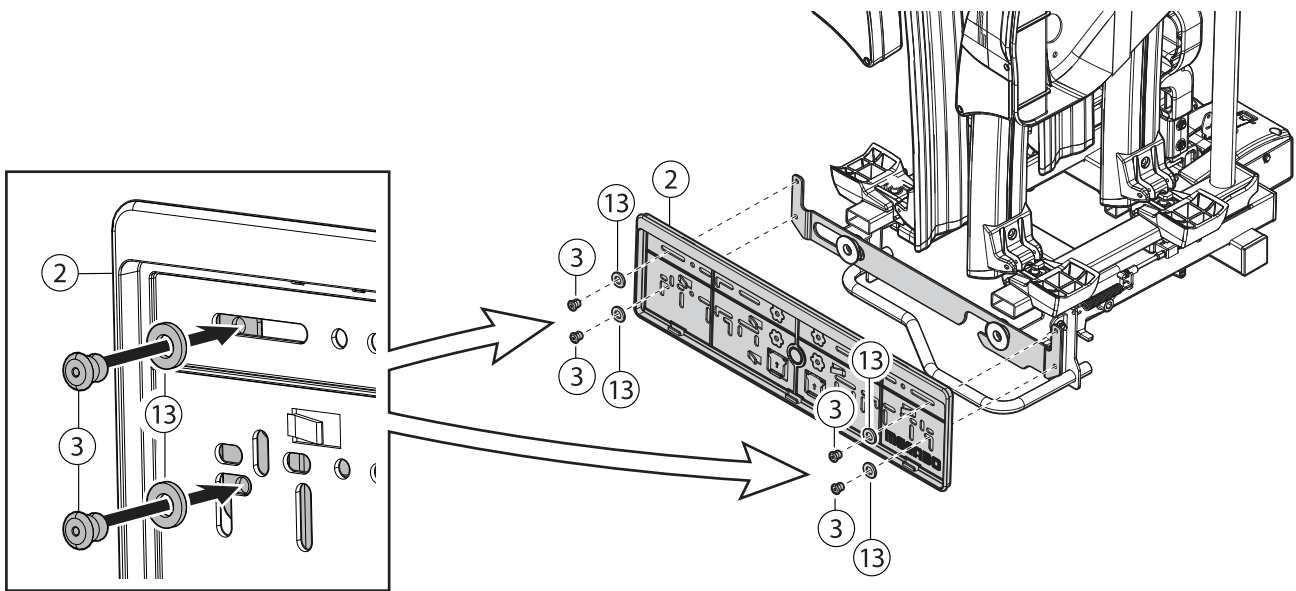
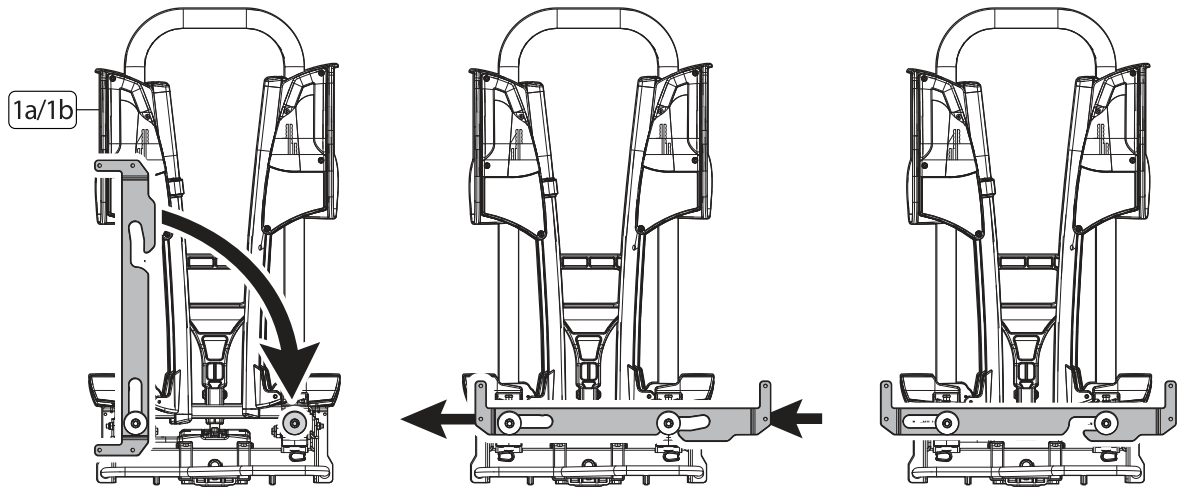
N.	[IT]Componenti (Inclusi) [EN]Components (Included) [FR]Composants (Comprises) [DE]Die Komponenten (im Lieferumfang enthalten) [ES]Componentes (Incluido)	Q.
1b		1
2		1
3		4
4		1
5		1
10		1
6		1
7		1
8		1
9		2
11		4
12		10
13		4

N.	[IT]Ricambi (A Richiesta) [EN]Spare Parts (Made to order) [FR]Pièces de rechange (Sur commande) [DE]E Teile (auf Anfrage) [ES]Piezas de recambio (Previa solicitud)	Codice-Code-Código	Q.
2		700007500000	1
3		700044400000	4
13			4
4		700003200000	1
5		700017800000	1
6		700033600000	1
7		700001100000	1
8		700033400000	1
10		700006900000	1
11		000026400000	1
12		700024000000	2
A		700033700000	1
B		700033800000	1
I		700034000000	1
L		700033900000	1
E		700034100000	2
F		700031500000	1
G		700031300000	1
H		700031400000	1

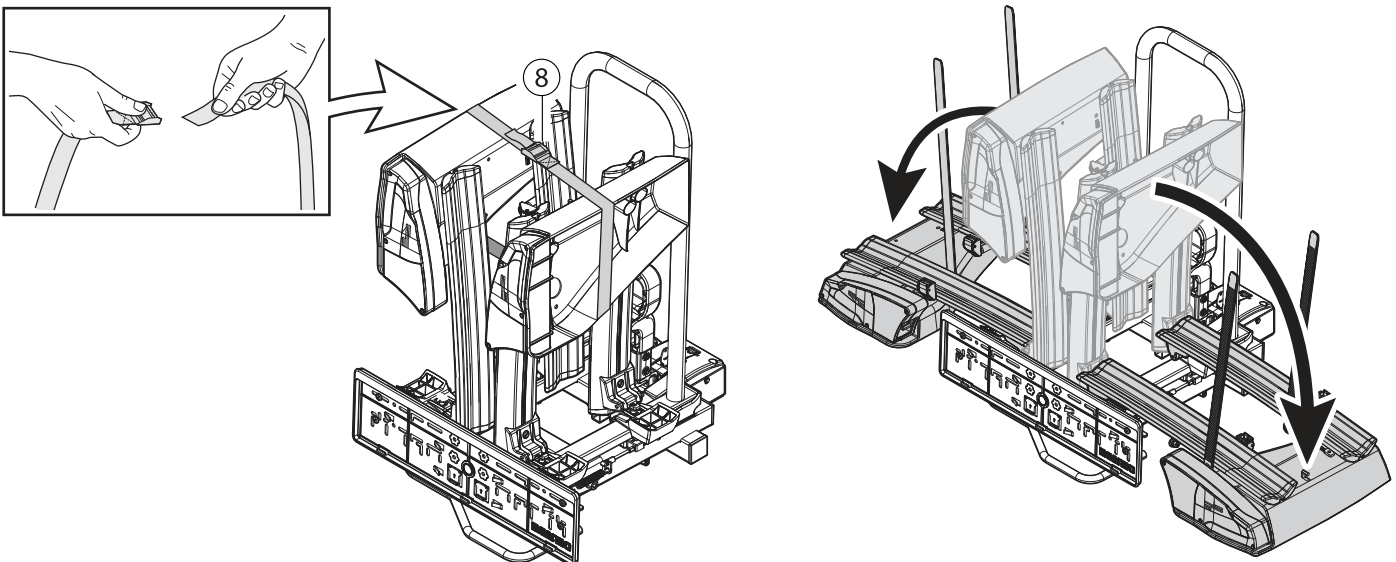


① — ANTARES 2 / ANTARES 3

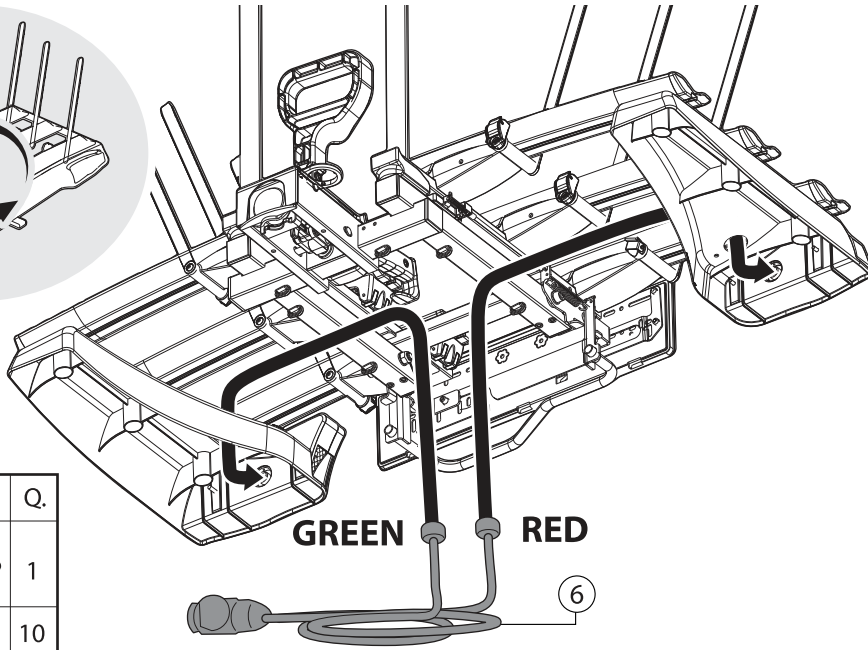
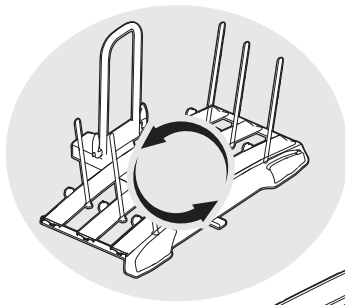
N		Q
1a		1
1b		1
2		1
3		4
13		4



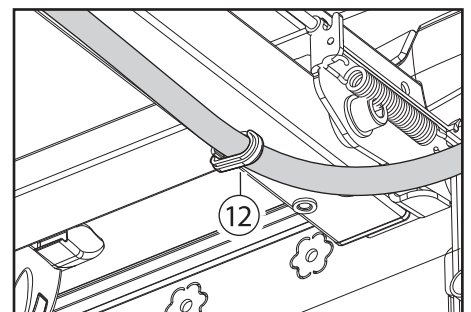
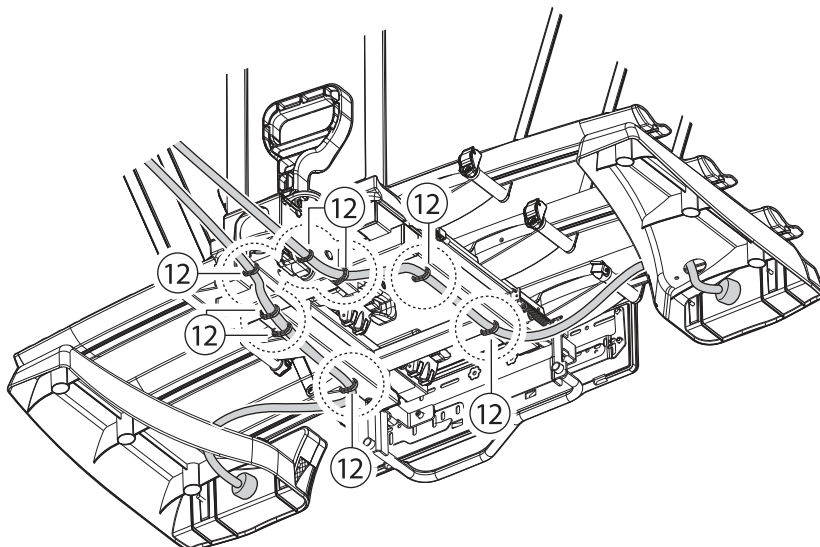
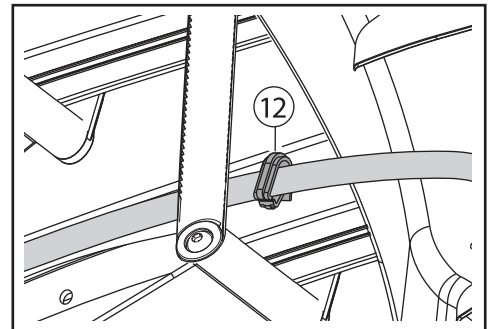
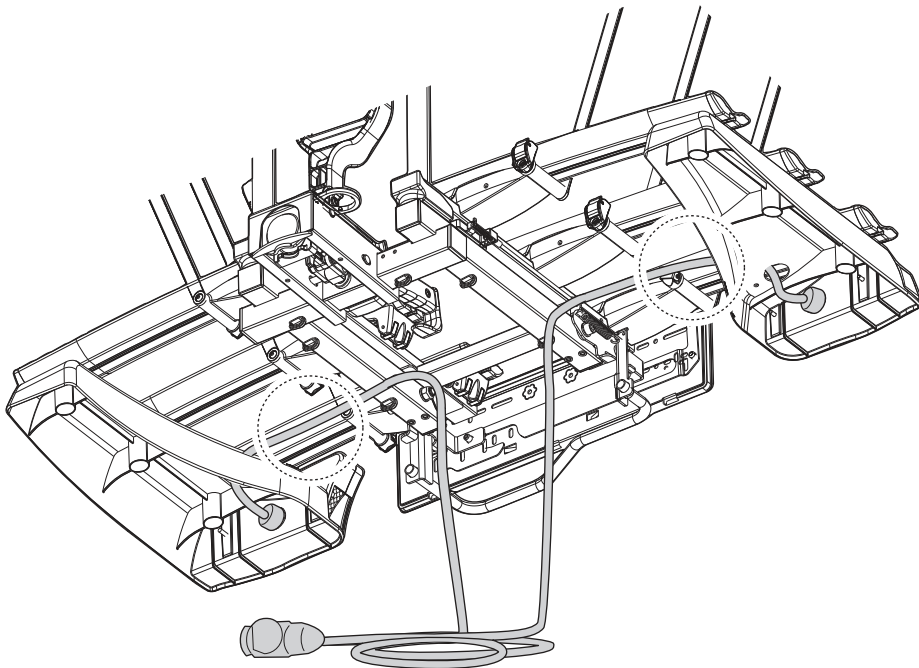
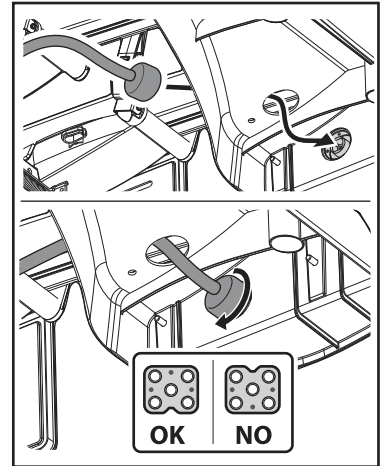
② — ANTARES 2 / ANTARES 3



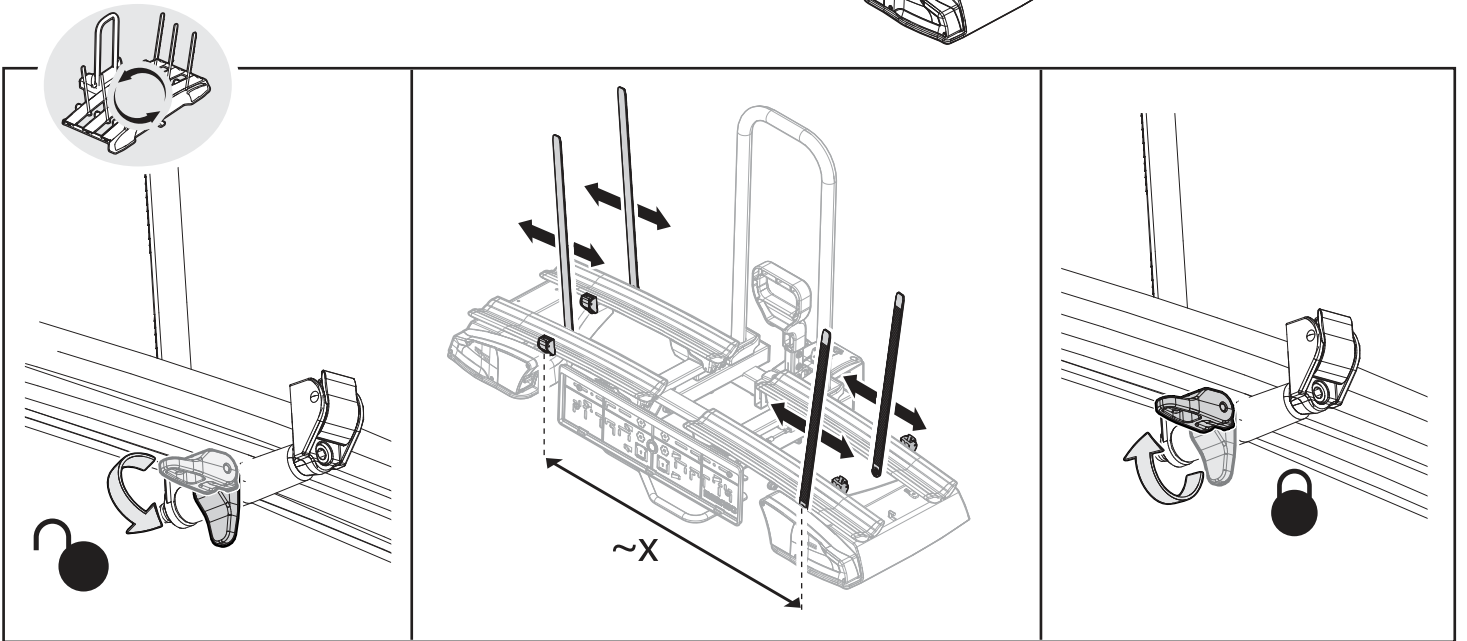
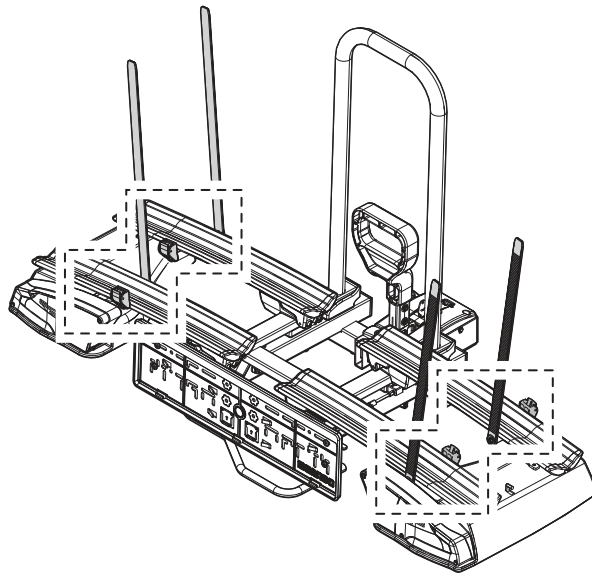
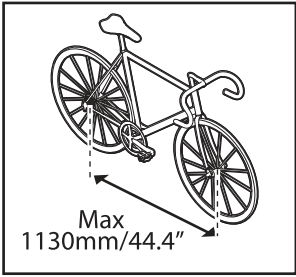
③ — ANTARES 2 / ANTARES 3



N.		Q.
6		1
12		10

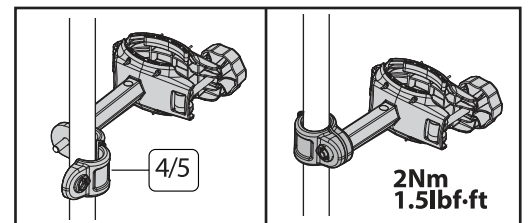
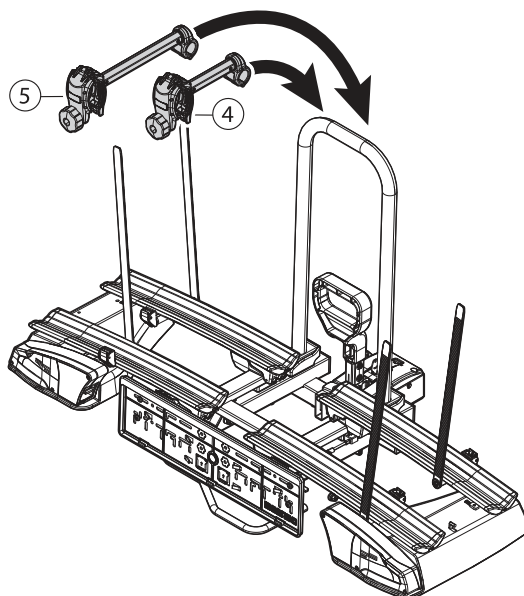


④ — ANTARES 2 / ANTARES 3

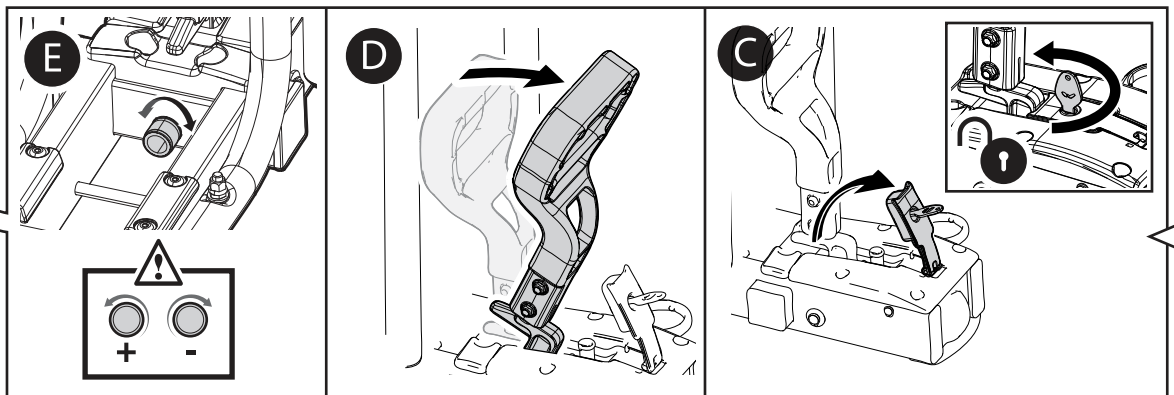
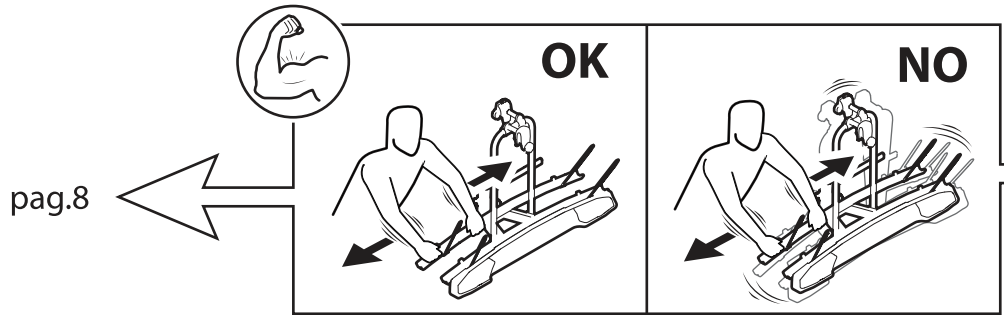
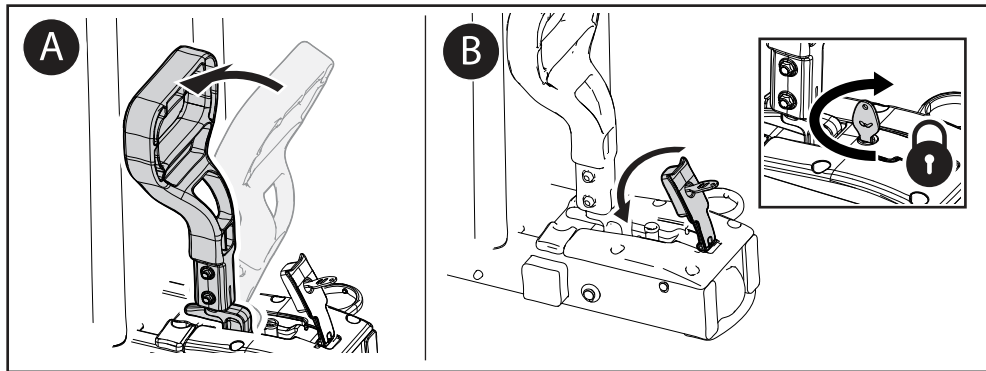
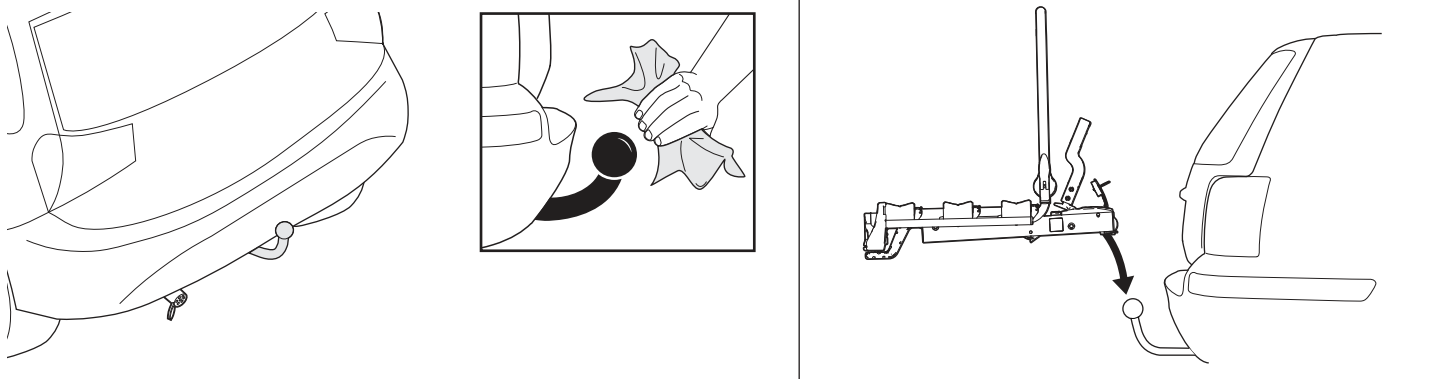
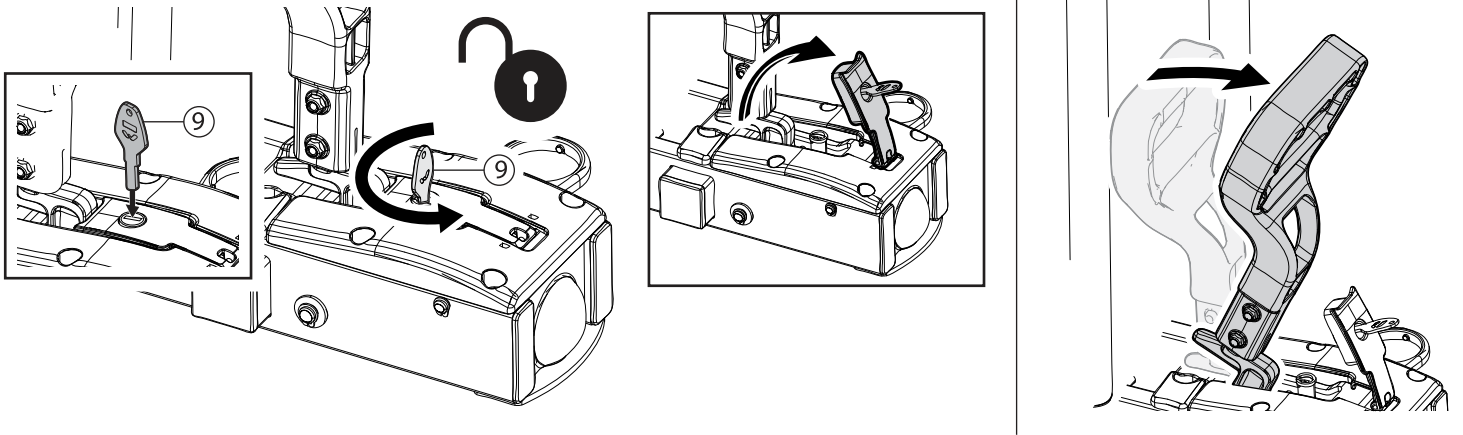


⑤ — ANTARES 2 / ANTARES 3

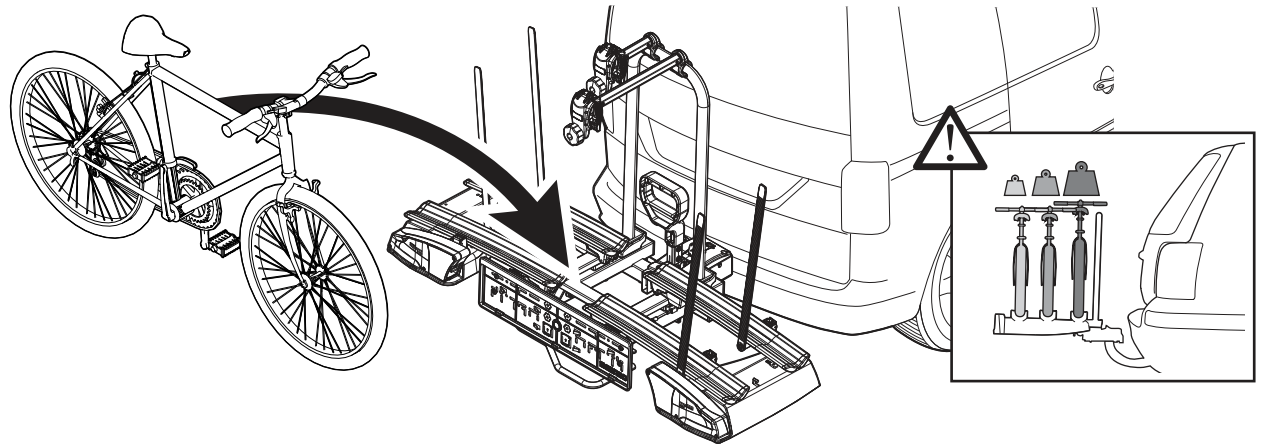
N		Q
4		1
5		1



6 ANTARES 2 / ANTARES 3



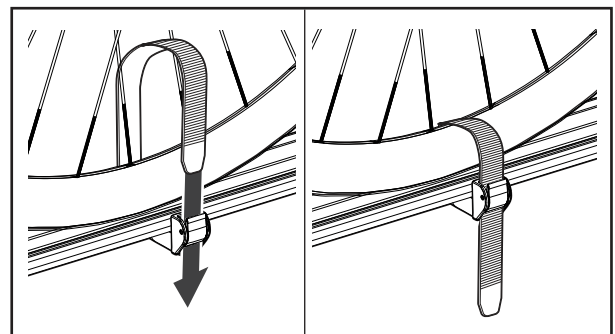
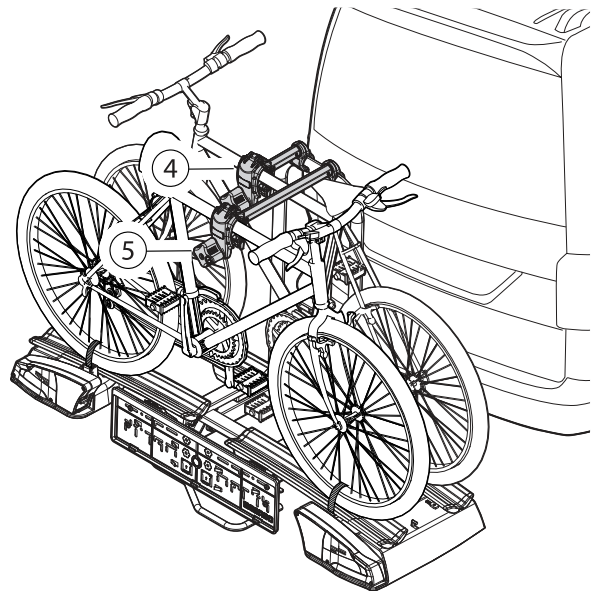
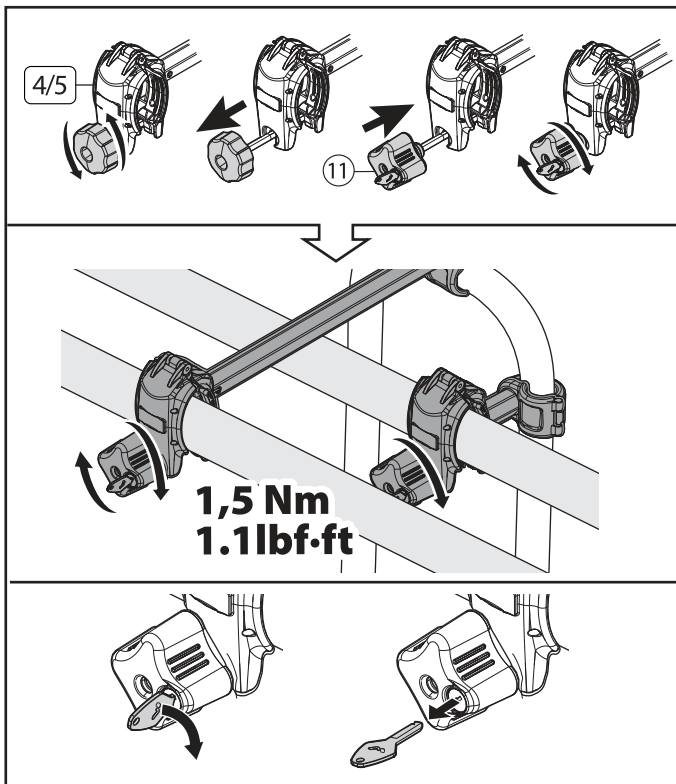
⑦ — ANTARES 2 / ANTARES 3



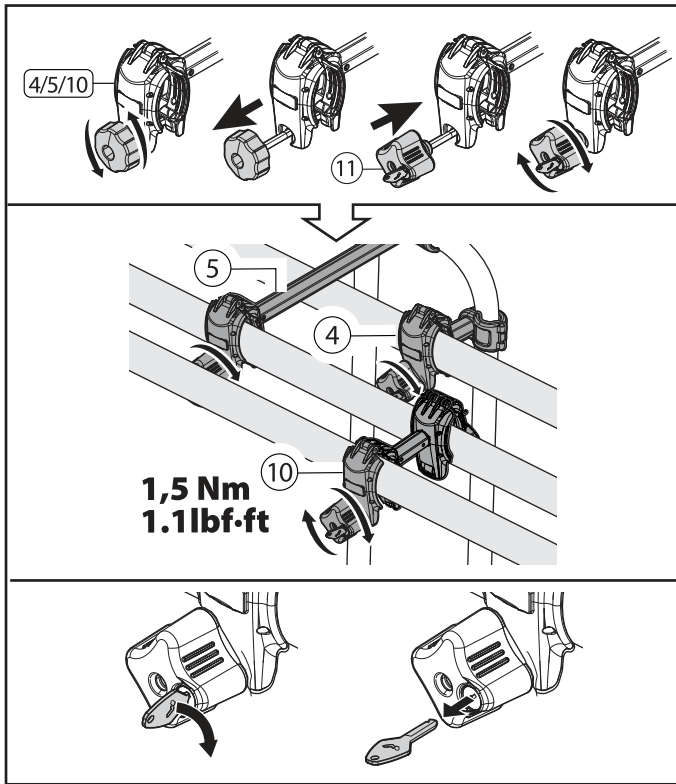
			MIN Ø30 mm / 1.2" MAX Ø50 mm / 2"		MIN 22" MAX 29"		MAX 110mm / 4.3"		MAX 1130mm / 44.4"
		MIN 30x60 mm / 1.2"x2.4" MAX 50x70 mm / 2"x2.7"							

⑧ — ANTARES 2

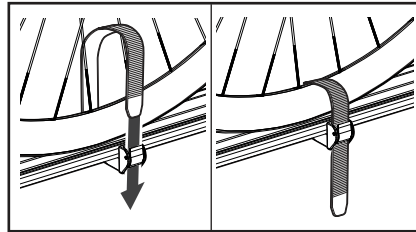
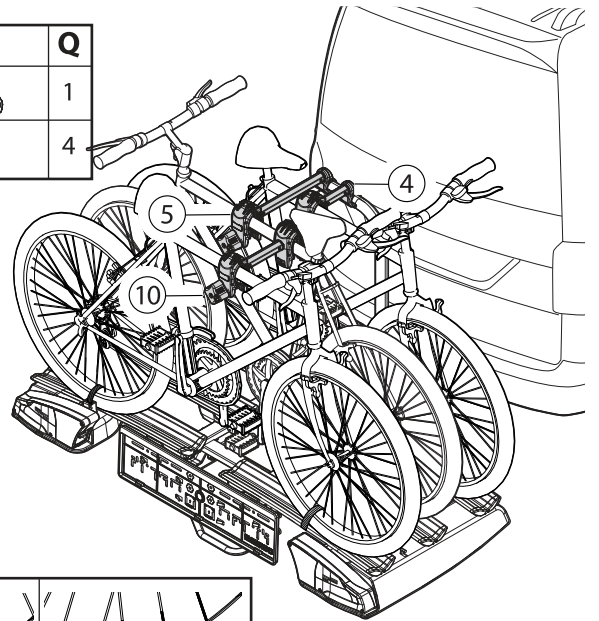
N	Q
11	2



9— ANTARES 2 / ANTARES 3

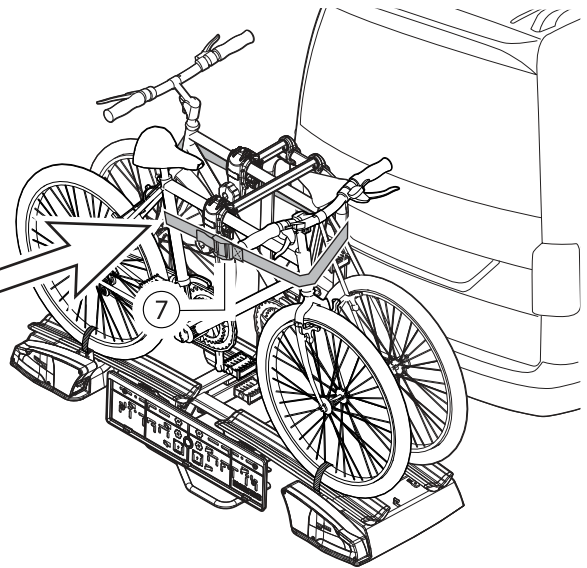
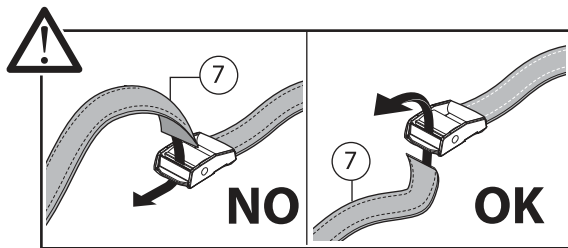


N		Q
10		1
11		4

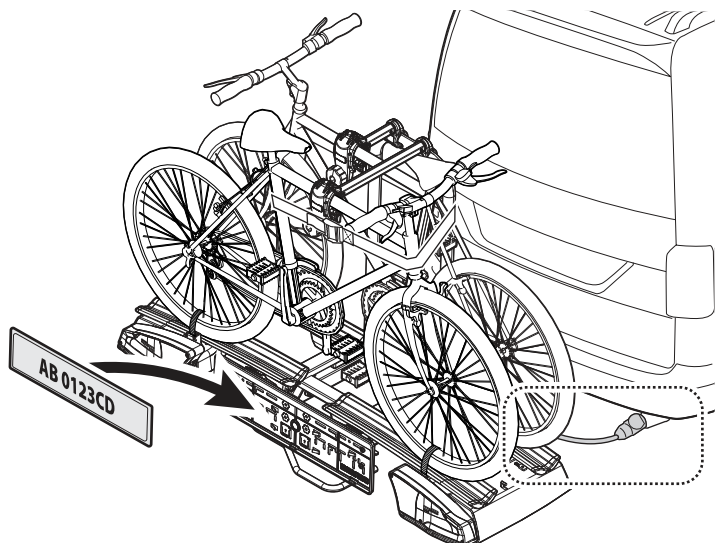
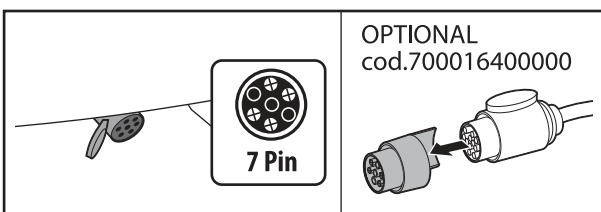
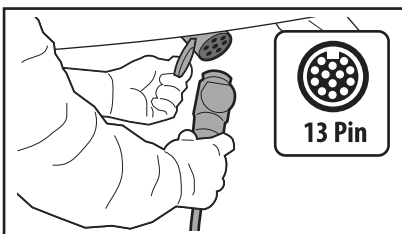


10— ANTARES 2 / ANTARES 3

N.		Q.
7	2,5m - 8ft	1

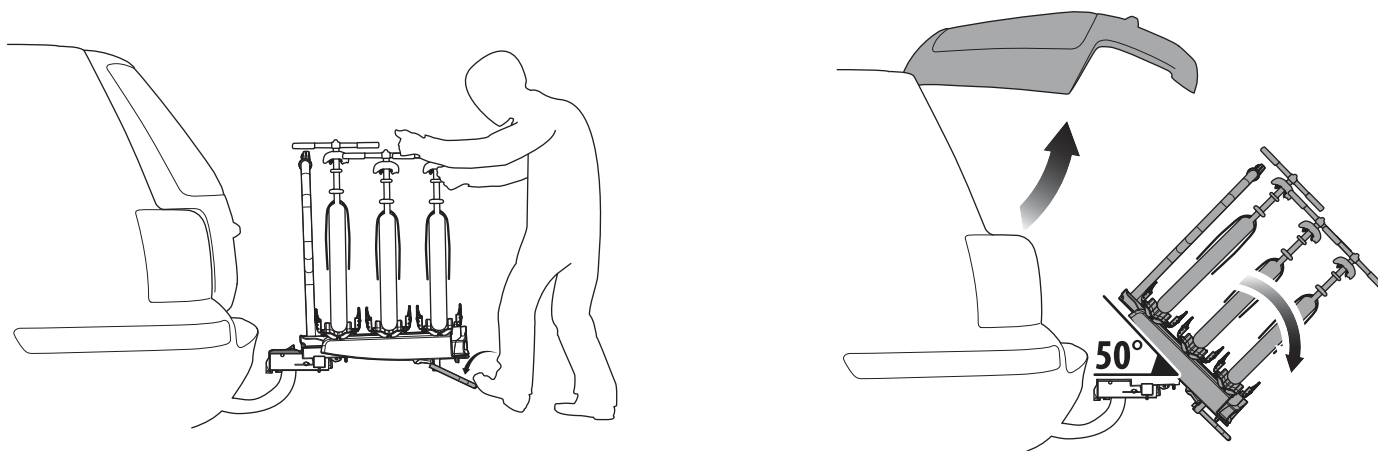


11— ANTARES 2 / ANTARES 3

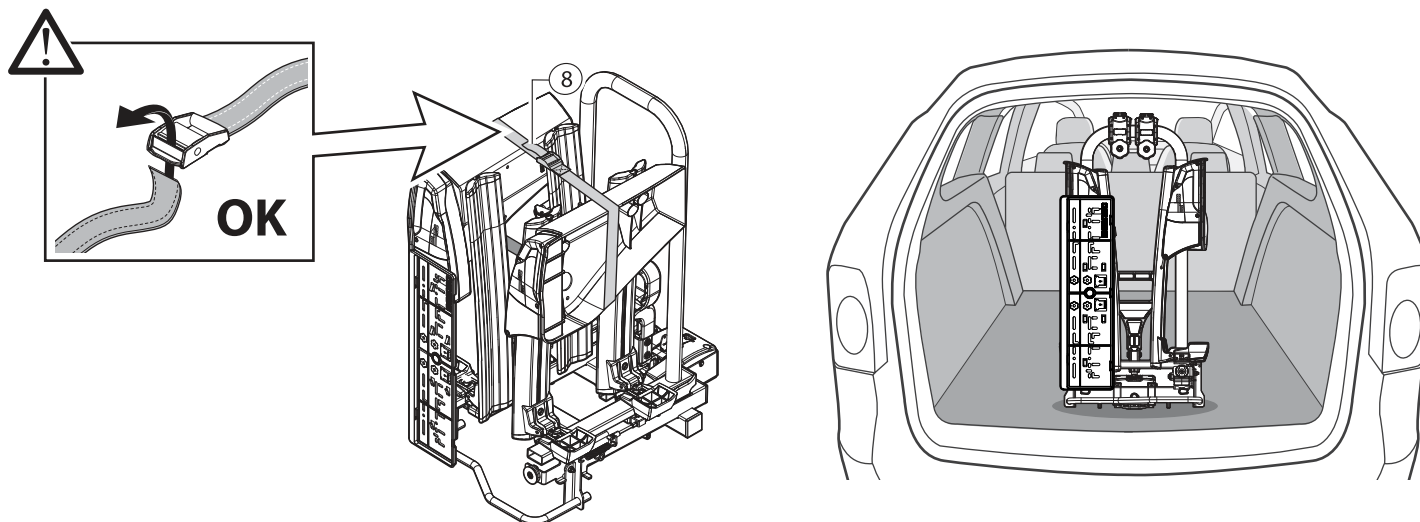
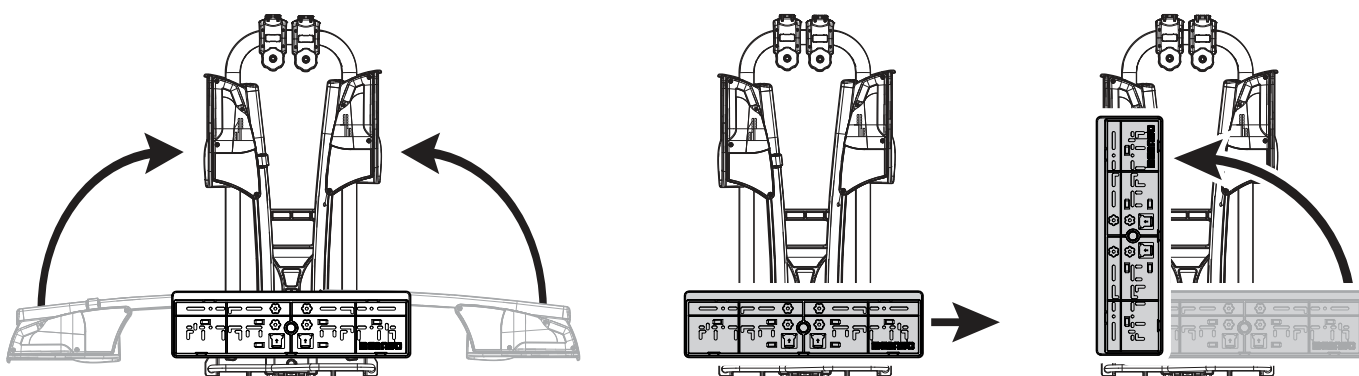


12 — ANTARES 2 / ANTARES 3

TILTING SYSTEM

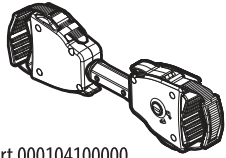


13 — ANTARES 2 / ANTARES 3



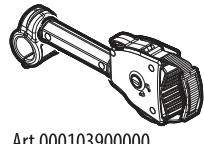
OPTIONAL

**BRACCETTO DOPPIO
DOUBLE RATCHET**



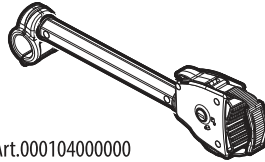
Art.000104100000

**BRACCETTO CORTO
SHORT RATCHET**



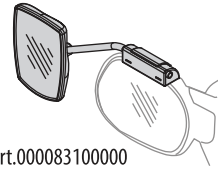
Art.000103900000

**BRACCETTO LUNGO
LONG RATCHET**



Art.000104000000

EVIDENCE MIRROR



Art.000083100000

**RAMPA
RAMP**



Art.000082100000

MAX 94/20/CE STANDARD	 Antares 2	x2 MAX 30kg - 66lb	 Antares 3	Standard MAX 20kg - 44lb	x3 OR E-bike MAX 30kg - 66lb	 Car Manual
		31 kg - 68.3lb 41 kg - 90.4lb 51 kg - 112.4lb 60 kg - 132lb 60 kg - 132lb				

No Tandem

40 cm - 15.7" 40 cm - 15.7"

130 km/h **80 mph**

SPEED

SPEED



F.lli Menabò S.r.l.
Via 8 Marzo, 3
42025 Cavriago (RE) Italy
cutomercare@flli-menabo.it
www.menabocaraccessories.com

Product registration

IT) eu.menabocaraccessories.com/ita/product-support-ita
EN) eu.menabocaraccessories.com/eng/product-support-eng
DE) eu.menabocaraccessories.com/deu/product-support-deu
FR) eu.menabocaraccessories.com/fra/product-support-fra
ES) eu.menabocaraccessories.com/esp/product-support-esp

Cod.Istr.	Data
500038900000	22/04/2021

www.menabocaraccessories.com

Name

Surname

Email

Telephone

Serial number

Product name