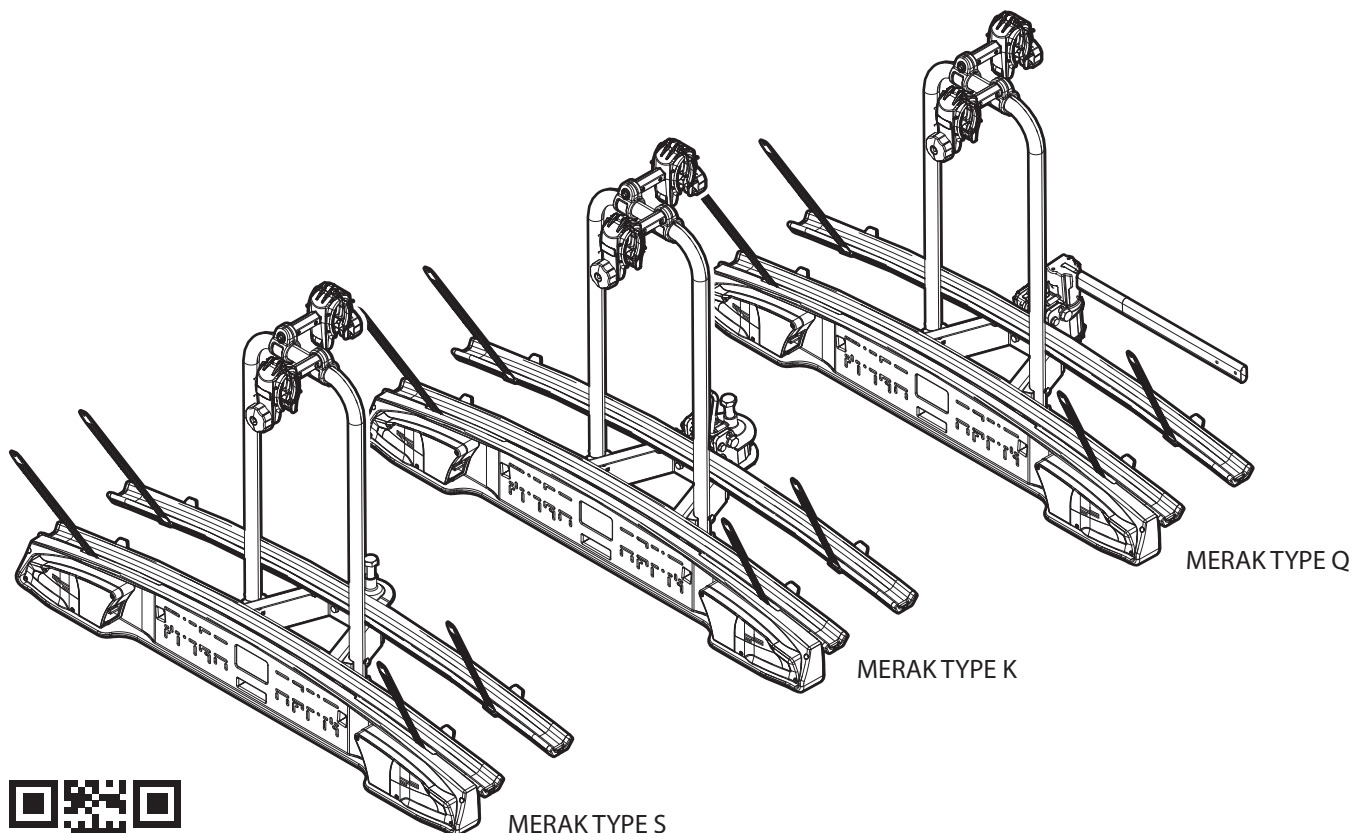


MENABO

free time on the move

MERAK

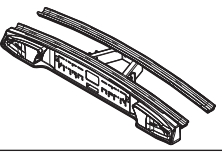

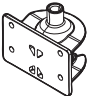
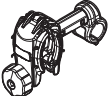
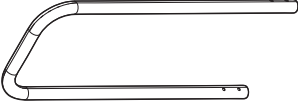







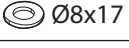

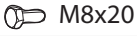



IT	Istruzioni di montaggio	LV	Pritvirtinimo instrukcijas
EN	Fitting instructions	NL	Instrukcja montażu
DE	Montageanleitung	NO	Monteringsveiledning
FR	Instructions de montage	PL	Instrukcja montażu
ES	Instrucciones de montaje	PT	Instruções de Montagem
CS	Návod na montáž	RO	Instrucțiuni de montare
DA	Monteringsvejledning	RU	Инструкции по установке
EL	Οδηγίες συναρμολόγησης	SK	Návod na montáž
ET	Paigaldusjuhend	SL	Navodila za pritrjevanje
FI	Asennusohje	SV	Monteringsanvisning
HR	Uputa za sastavljanje	TK	Uydurma talimat
HU	A felszerelés módja	ZH	裝修指導
LT	Stiprināšanas instrukcija	AR	تعليمات التجميل




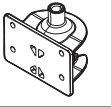
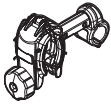







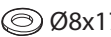






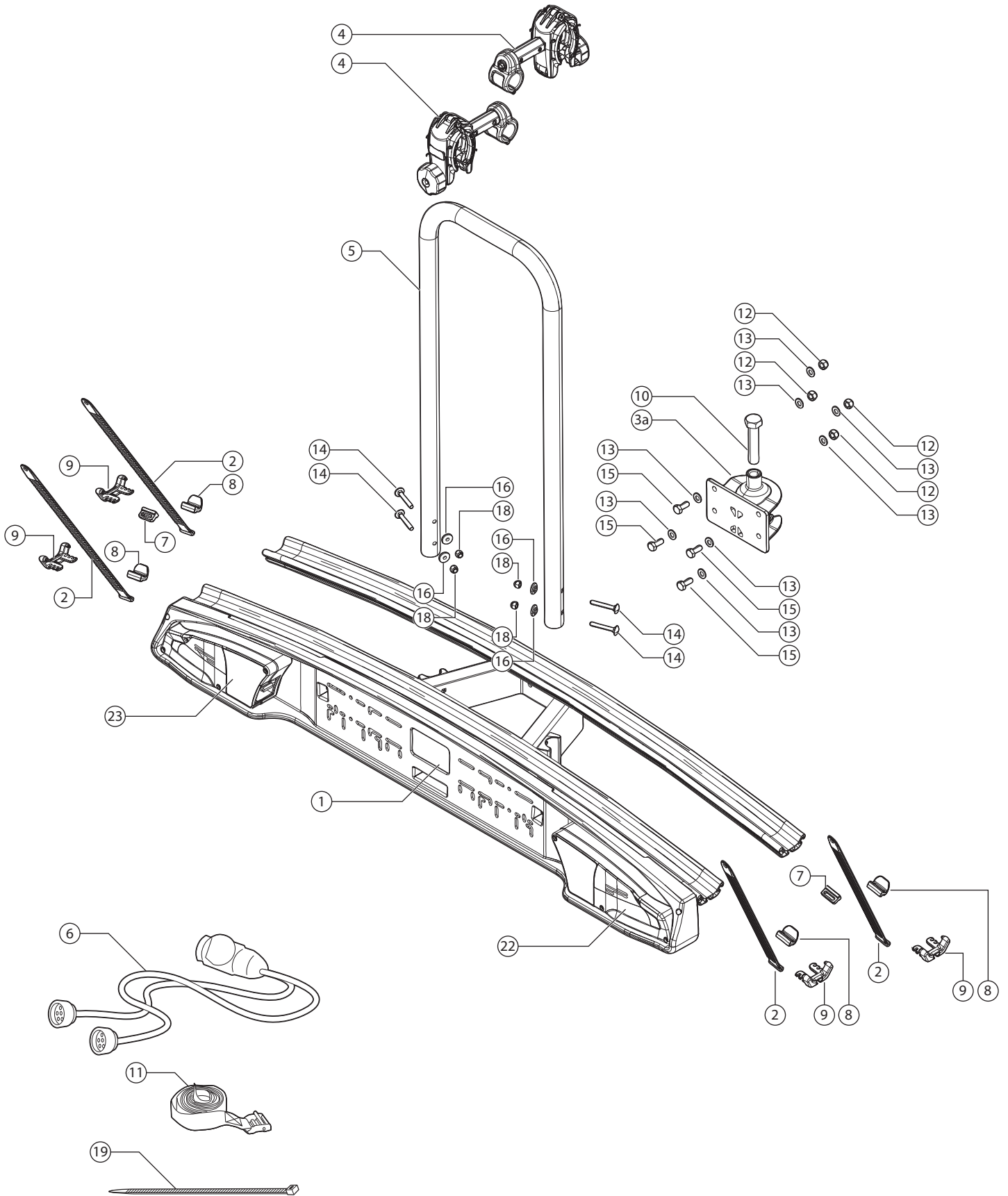
Made in Italy



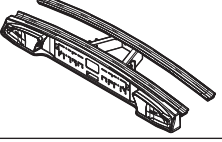

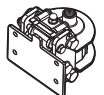

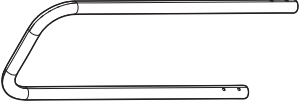
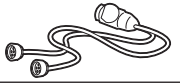




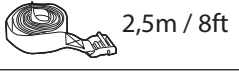



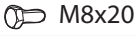




MERAK TYPE S




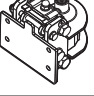

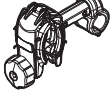

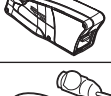



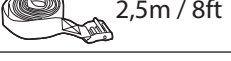

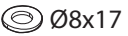





N.	(IT)Componenti (Inclusi) (EN)Components (Included) (FR)Composants (Comprises) (DE)Die Komponenten (im Lieferumfang enthalten) (ES)Componentes (Incluido)	Q.
1		1
2		4
3a		1
4		2
5		1
6		1
7		2
8		4
9		4
10	 M16x70	1
11	 2,5m / 8ft	1
12	 M8	4
13	 Ø8x17	8
14	 M6x45	4
15	 M8x20	4
16		4
18	 M6	4
19		2

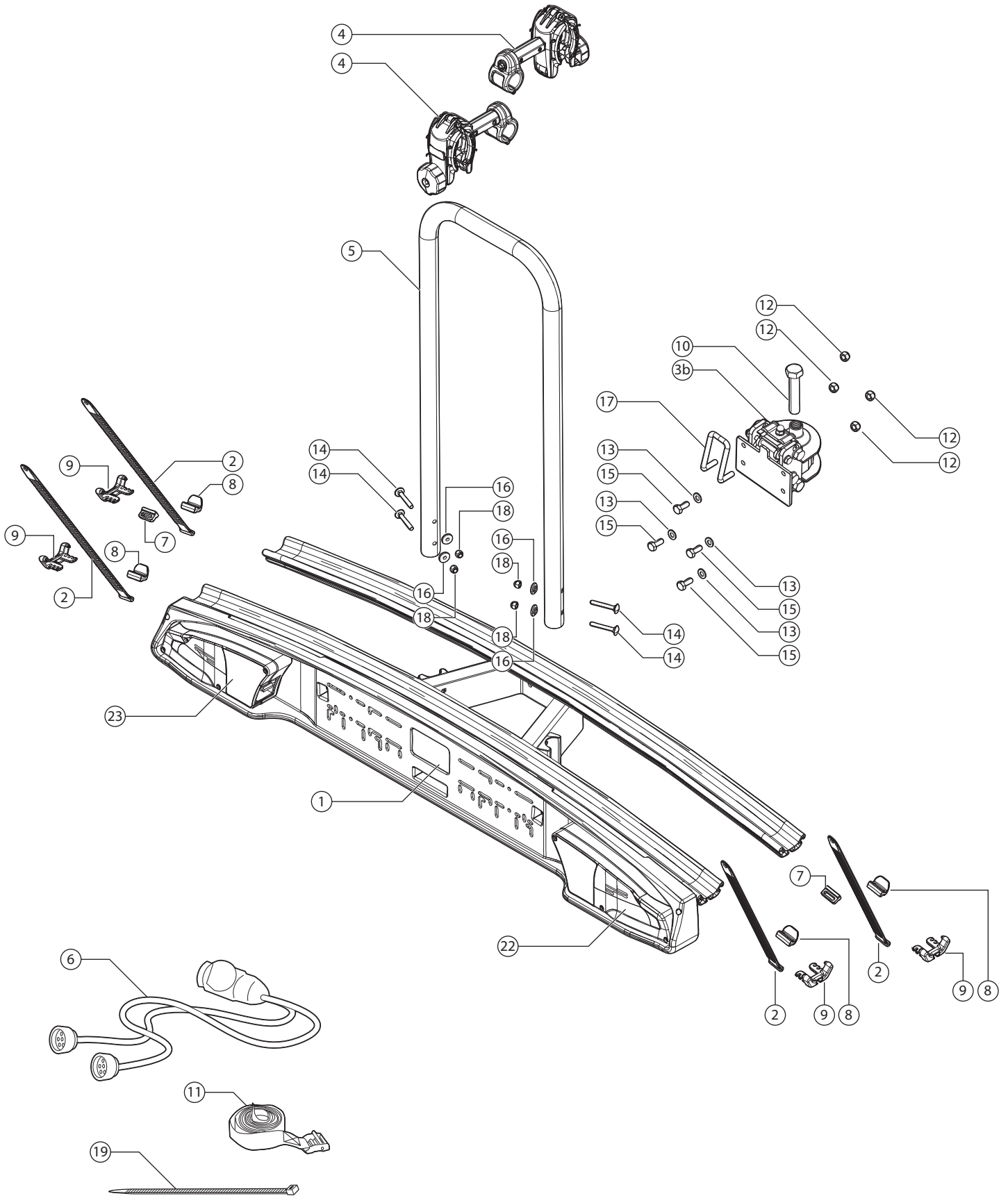
N.	(IT)Ricambi (A Richiesta) (EN)Spare Parts (Made to order) (FR)Pièces de rechange (Sur commande) (DE)E Teile (auf Anfrage) (ES)Piezas de recambio (Previa solicitud)	Q.	Codice-Code-Código
2		1	700003800000
7		2	
8		1	
3a		1	700003000000
4		1	700003200000
22	 DX	1	700033700000
23	 SX	1	700033800000
6		1	700033600000
9		2	700003900000
10	 M16x70	1	700004100000
11	 2,5m / 8ft	1	700001100000
12	 M8	4	700037000000
13	 Ø8x17	8	
14	 M6x45	4	
15	 M8x20	4	
16		4	
18	 M6	4	



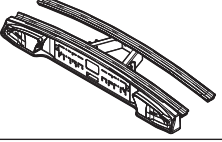

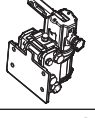
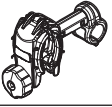







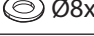
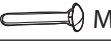






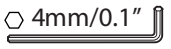
MERAK TYPE K




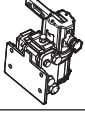


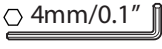
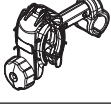






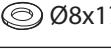

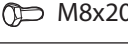



N.	(IT)Componenti (Inclusi) (EN)Components (Included) (FR)Composants (Comprises) (DE)Die Komponenten (im Lieferumfang enthalten) (ES)Componentes (Incluido)	Q.
1		1
2		4
3b		1
4		2
5		1
6		1
7		2
8		4
9		4
10	 M16x70	1
11	 2,5m / 8ft	1
12	 M8	4
13	 Ø8x17	4
14	 M6x45	4
15	 M8x20	4
16		4
17		1
18	 M6	4
19		2

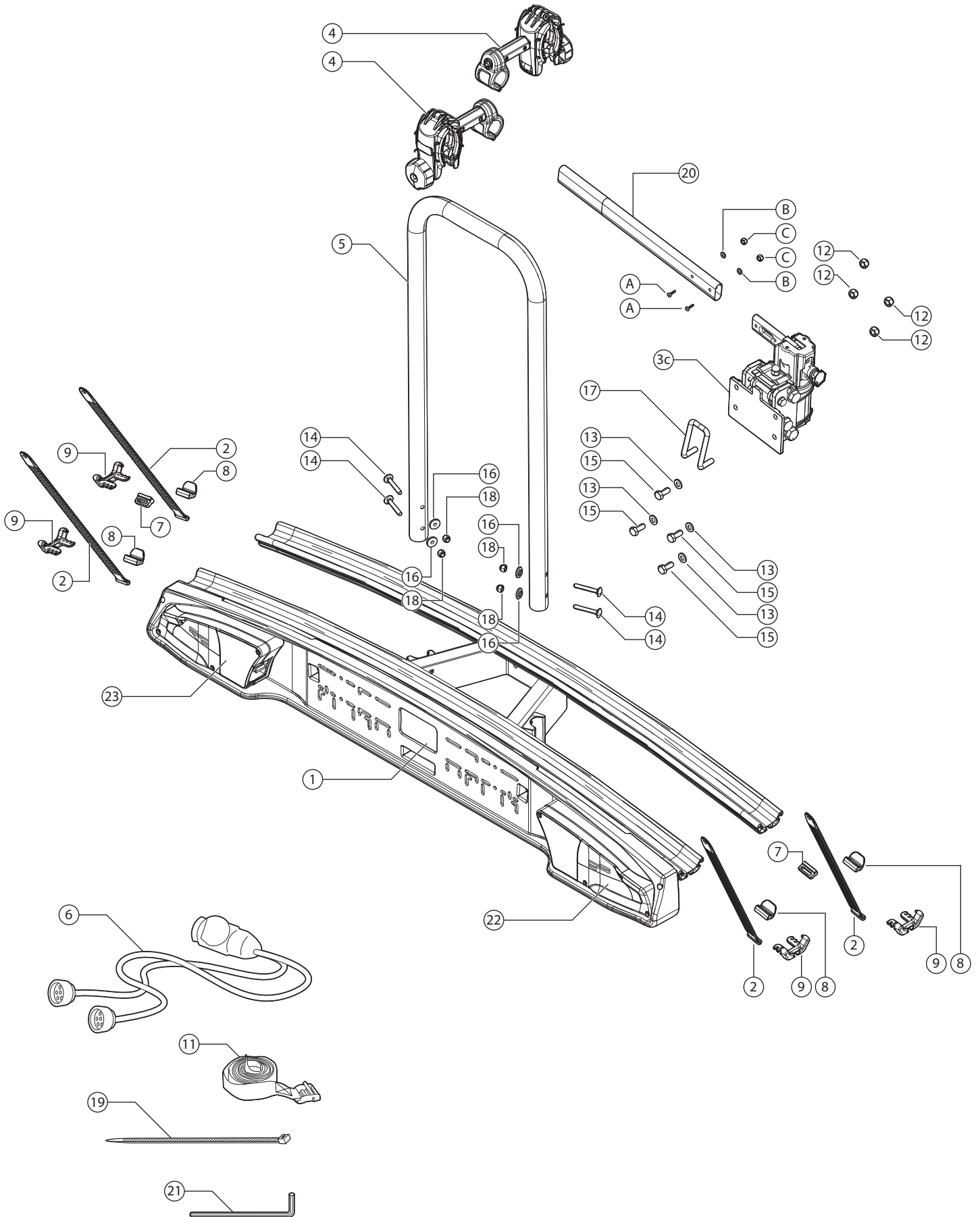
N.	(IT)Ricambi (A Richiesta) (EN)Spare Parts (Made to order) (FR)Pièces de rechange (Sur commande) (DE)E Teile (auf Anfrage) (ES)Piezas de recambio (Previa solicitud)	Q.	Codice-Code-Código
2		1	70003800000
7		2	
8		1	
3b		1	70001150000
17		1	
4		1	700003200000
22	 DX	1	700033700000
23	 SX	1	700033800000
6		1	700033600000
9		1	700003900000
10	 M16x70	1	700004100000
11	 2,5m / 8ft	1	700001100000
12	 M8	4	700037000000
13	 Ø8x17	8	
14	 M6x45	4	
15	 M8x20	4	
16		4	
18	 M6	4	
17		1	





MERAK TYPE Q

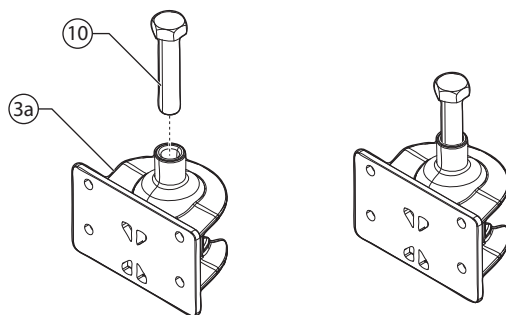
N.	(IT)Componenti (Inclusi) (EN)Components (Included) (FR)Composants (Comprises) (DE)Die Komponenten (im Lieferumfang enthalten) (ES)Componentes (Incluido)	Q.
1		1
2		4
3c		1
4		2
5		1
6		1
7		2
8		4
9		4
11	 2,5m / 8ft	1
12	 M8	4
13	 Ø8x17	4
14	 M6x45	4
15	 M8x20	4
16		4
17		1
18	 M6	4
19		2
20		1
21	 4mm/0.1"	1

N.	(IT)Ricambi (A Richiesta) (EN)Spare Parts (Made to order) (FR)Pièces de rechange (Sur commande) (DE)E Teile (auf Anfrage) (ES)Piezas de recambio (Previa solicitud)	Q.	Codice-Code-Código
2		1	70003800000
7		2	
8		1	
3c		1	700011400000
17		1	
20		1	
21	 4mm/0.1"	1	
4		1	70003200000
22	 DX	1	700033700000
23	 SX	1	700033800000
6		1	700033600000
9		1	70003900000
11	 2,5m / 8ft	1	700001100000
12	 M8	4	700037000000
13	 Ø8x17	8	
14	 M6x45	4	
15	 M8x20	4	
16		4	
18	 M6	4	
17		1	700004300000






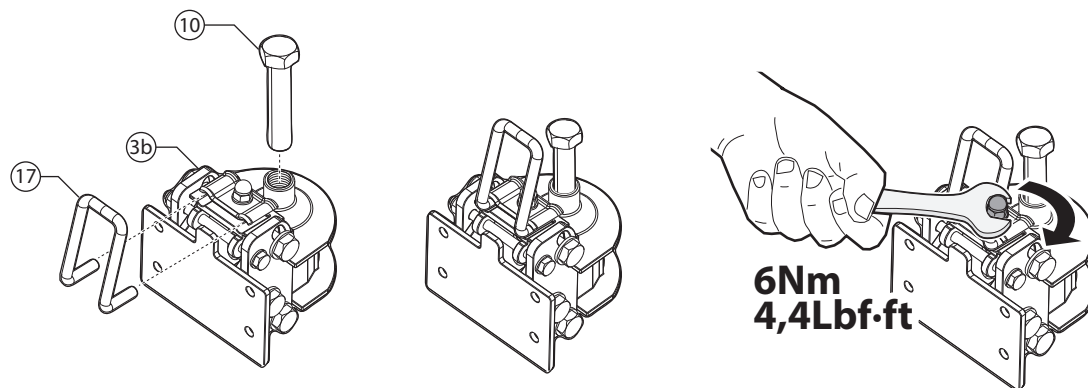
TYPE S

N.		Q.
3a		1
10	 M16x70	1



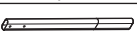





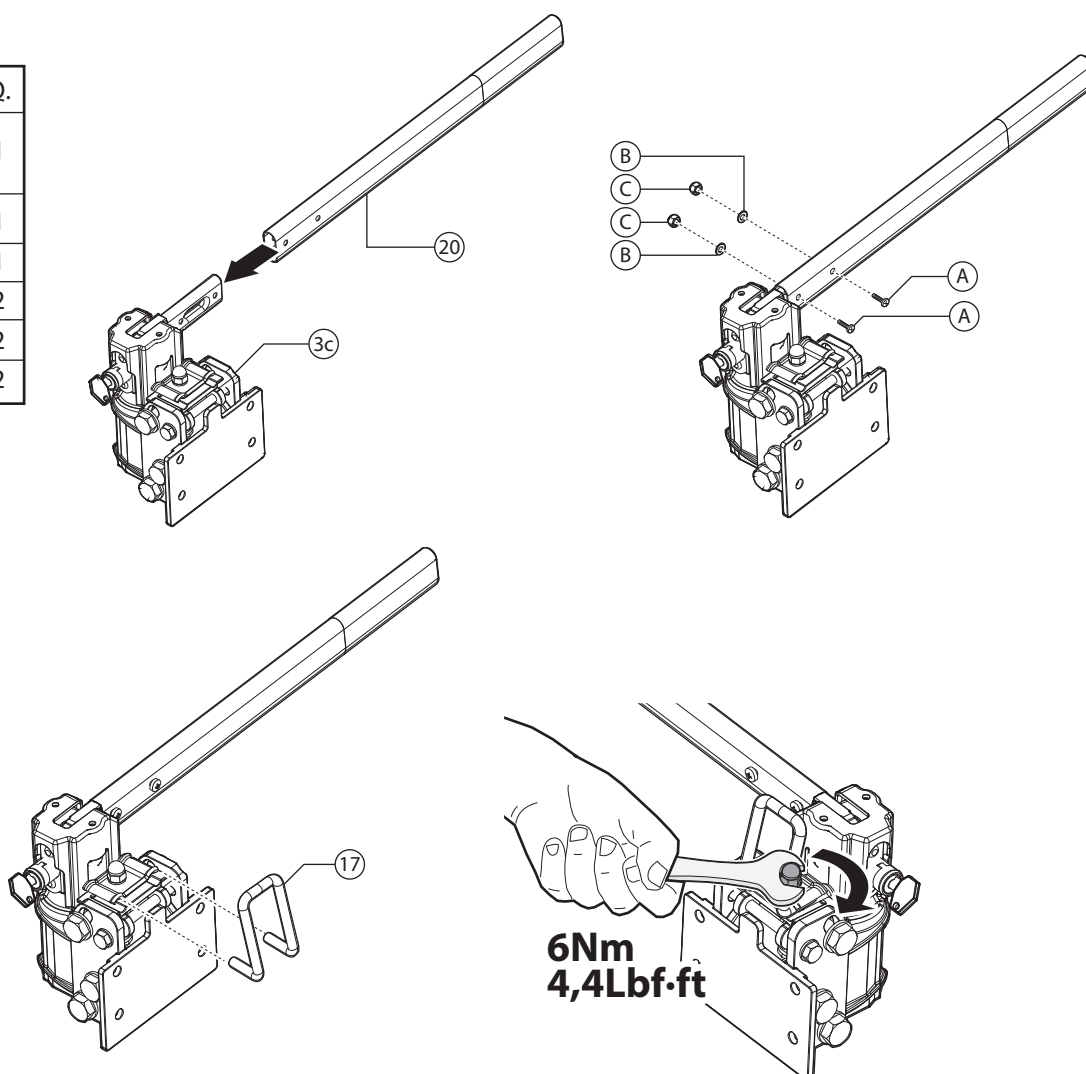
TYPE K

N.		Q.
3b		1
10	 M16x70	1
17		1

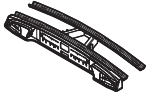





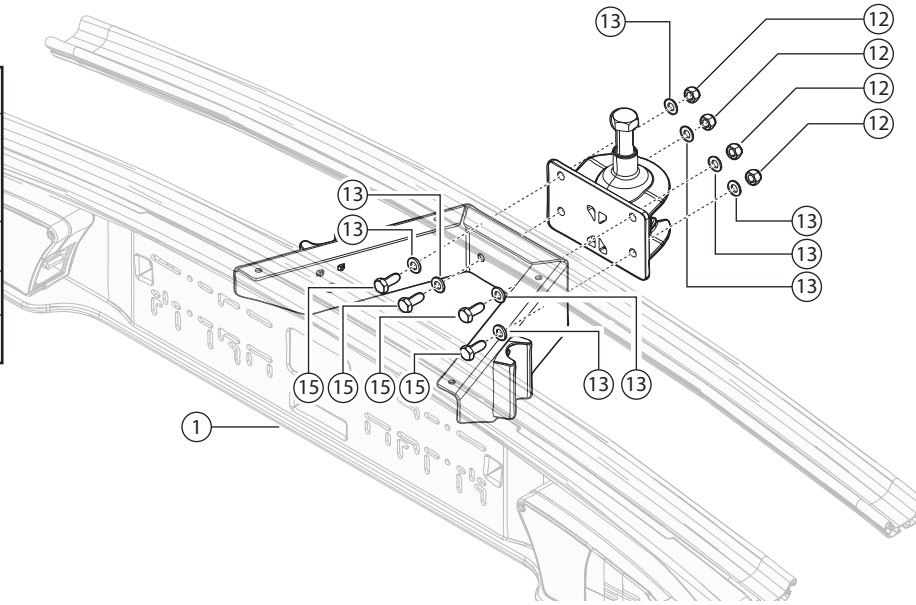
TYPE Q

N.		Q.
3c		1
17		1
20		1
A		2
B		2
C		2

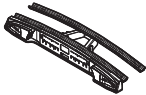





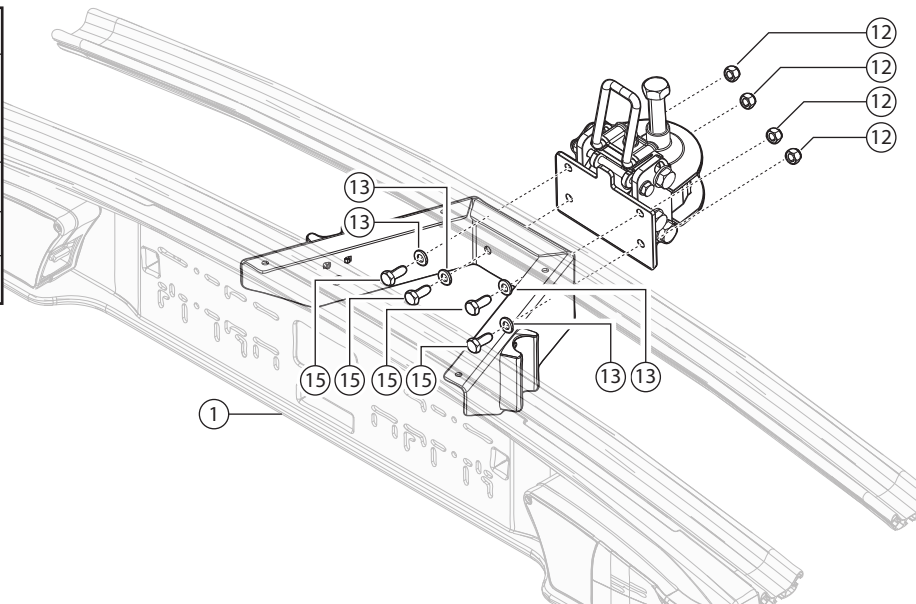
TYPE S

N.		Q.
1		1
12	 M8	4
13	 Ø8x17	8
15	 M8x20	4

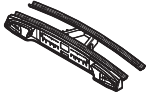





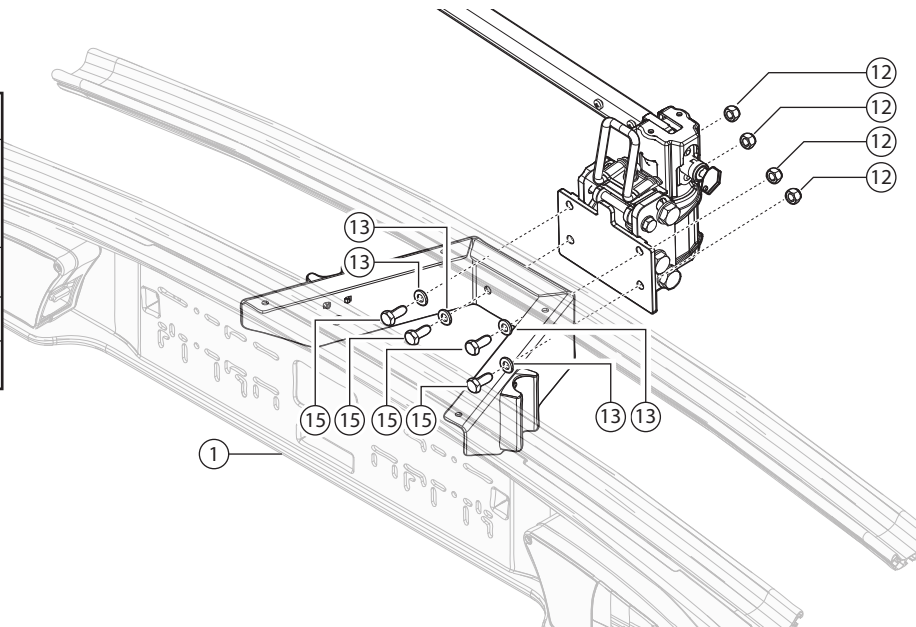
TYPE K

N.		Q.
1		1
12	 M8	4
13	 Ø8x17	4
15	 M8x20	4

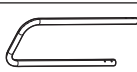

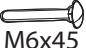



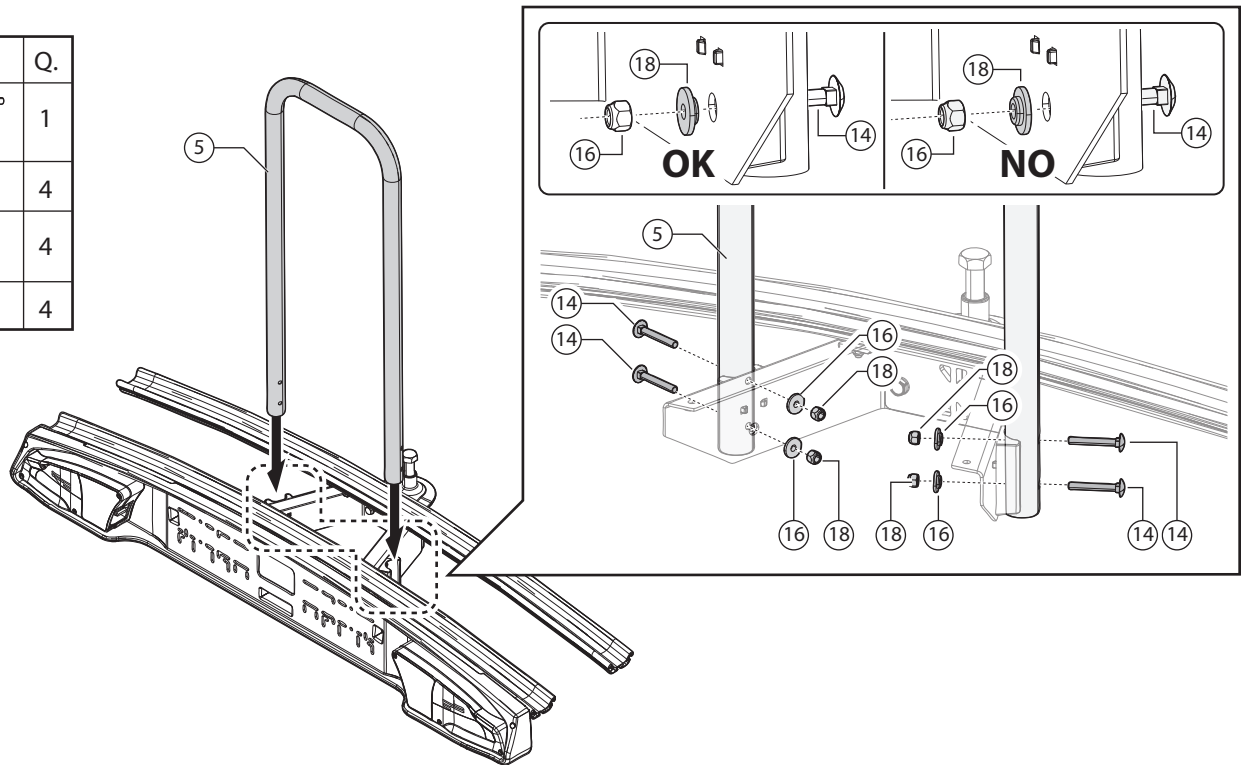
TYPE Q

N.		Q.
1		1
12	 M8	4
13	 Ø8x17	4
15	 M8x20	4





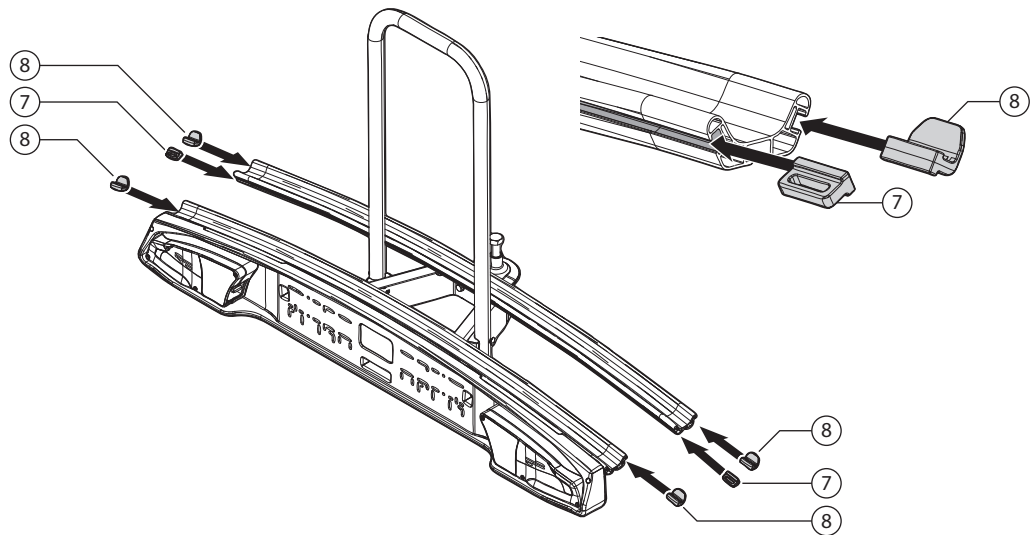
3—TYPE S / TYPE K / TYPE Q

N.		Q.
5		1
18		4
14		4
16		4




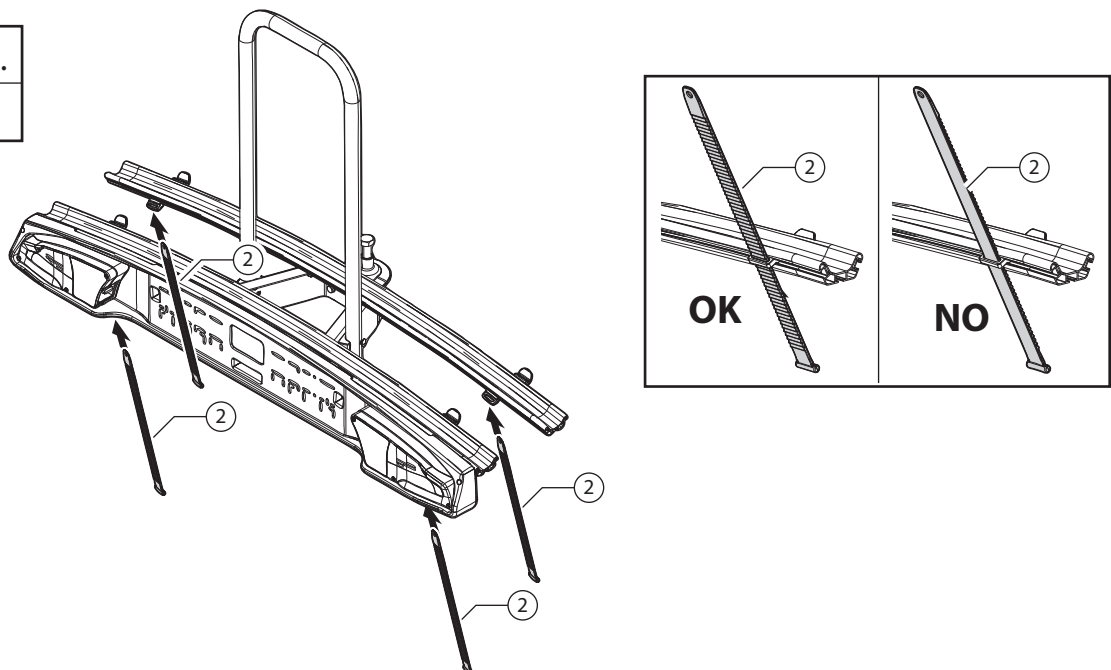
4—TYPE S / TYPE K / TYPE Q

N.		Q.
7		2
8		4




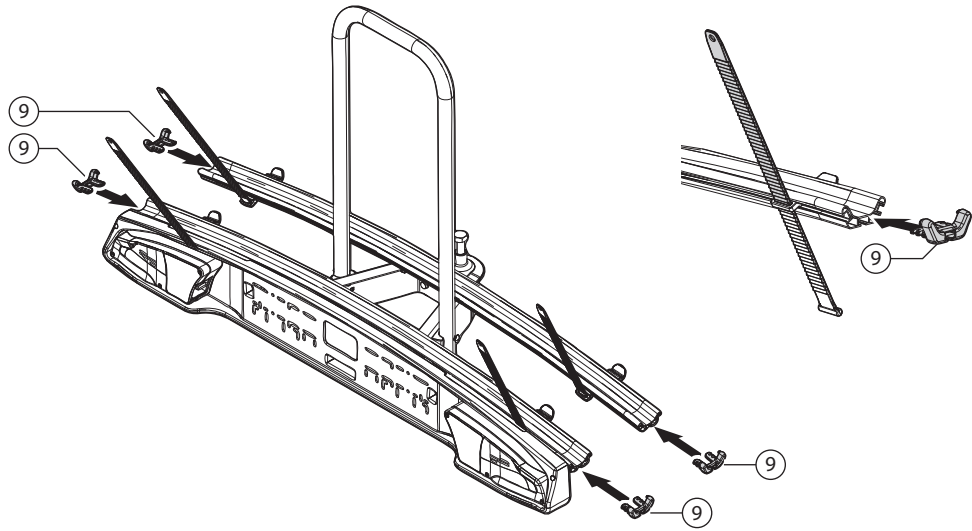
5—TYPE S / TYPE K / TYPE Q

N.		Q.
2		4

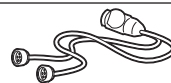


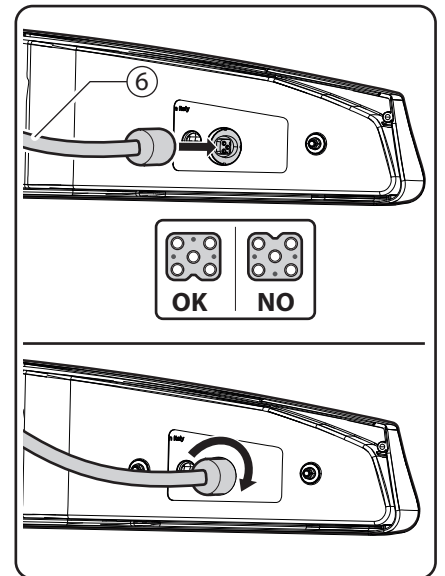
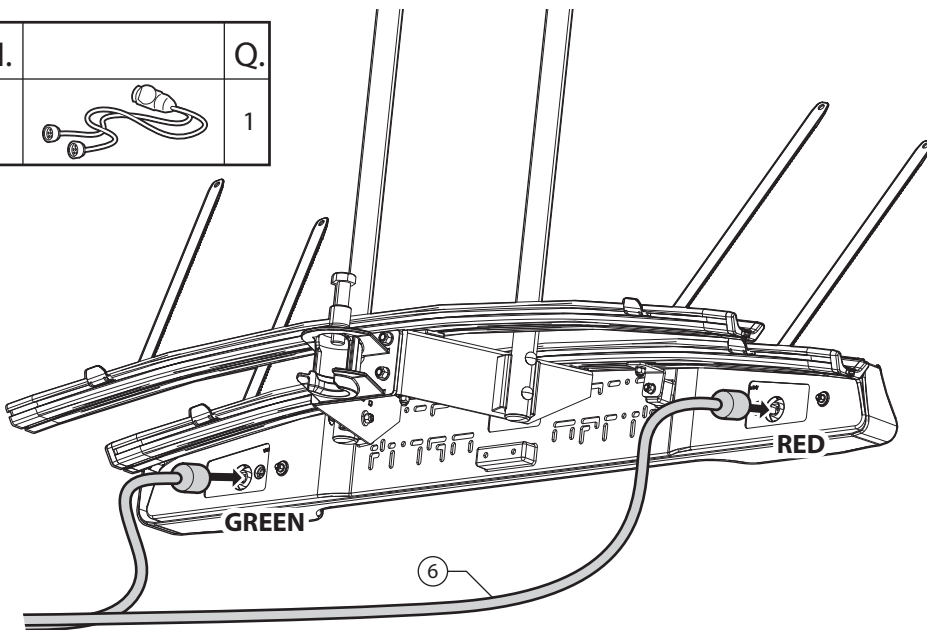
⑥—TYPE S / TYPE K / TYPE Q

N.		Q.
9		4

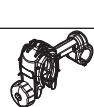



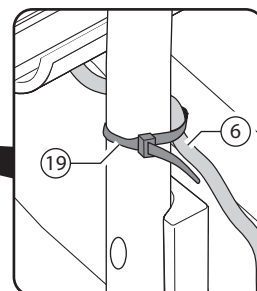
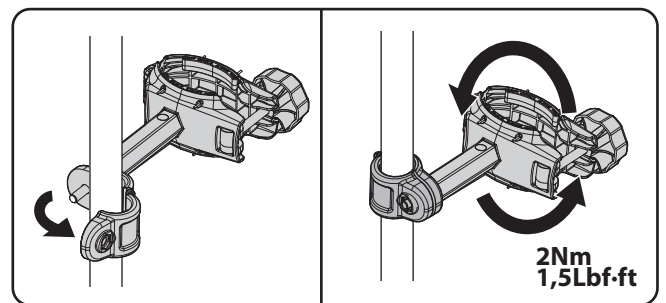
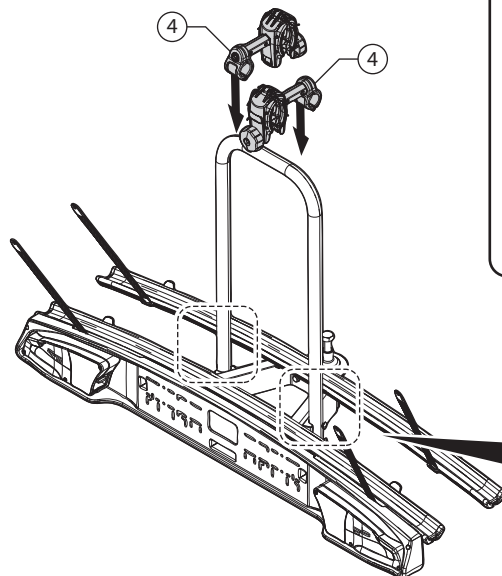
⑦—TYPE S / TYPE K / TYPE Q

N.		Q.
6		1

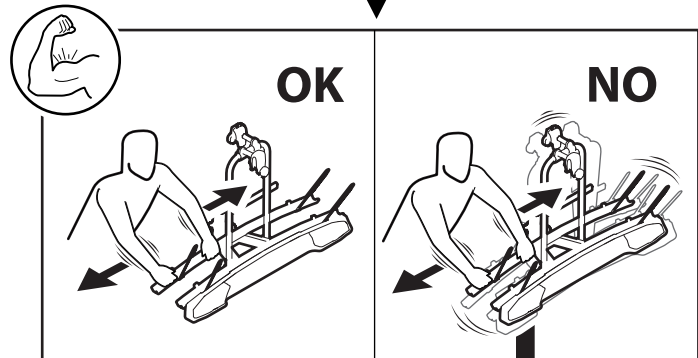
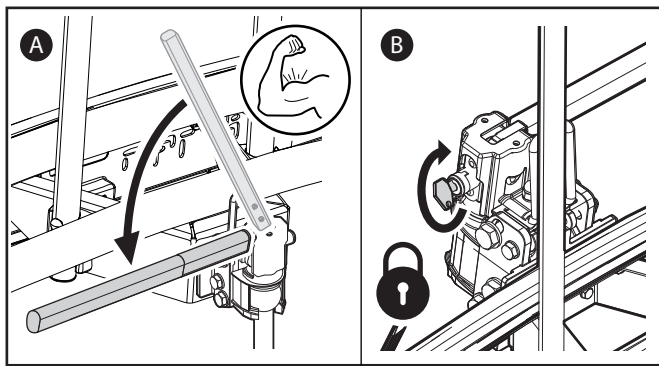
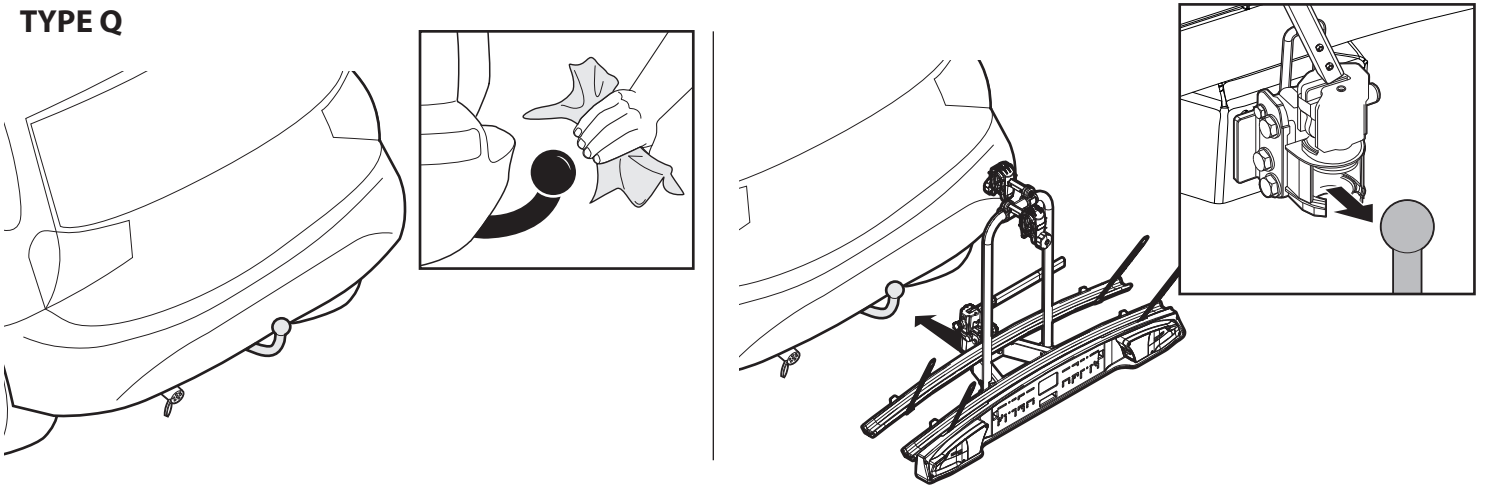


⑧—TYPE S / TYPE K / TYPE Q

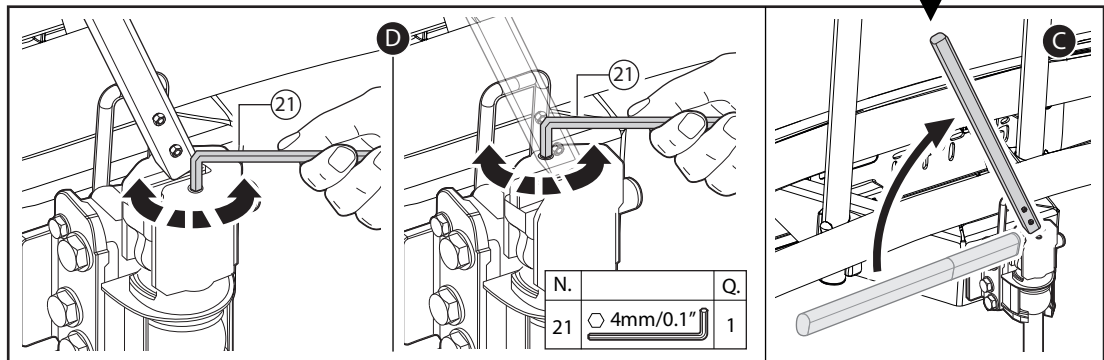
N.		Q.
4		2
19		2



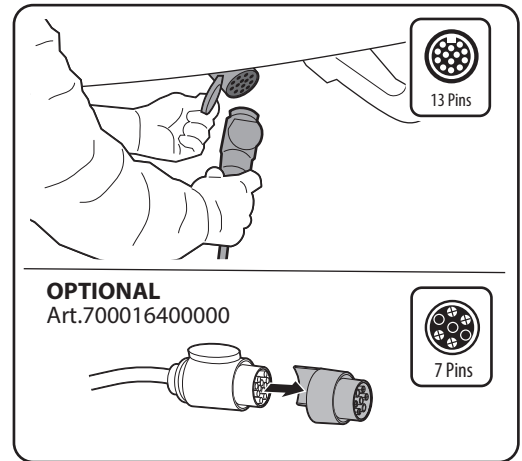
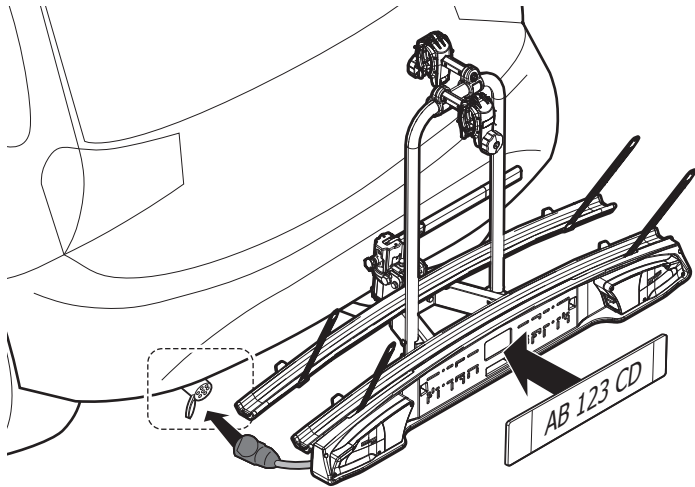
TYPE Q



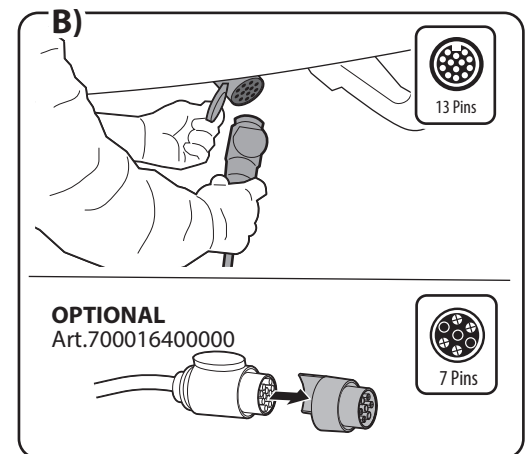
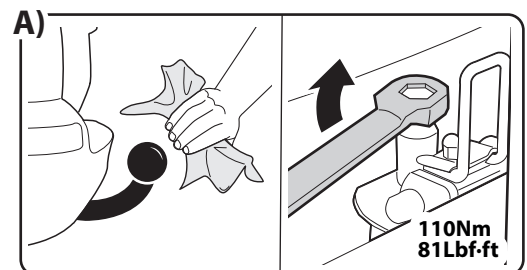
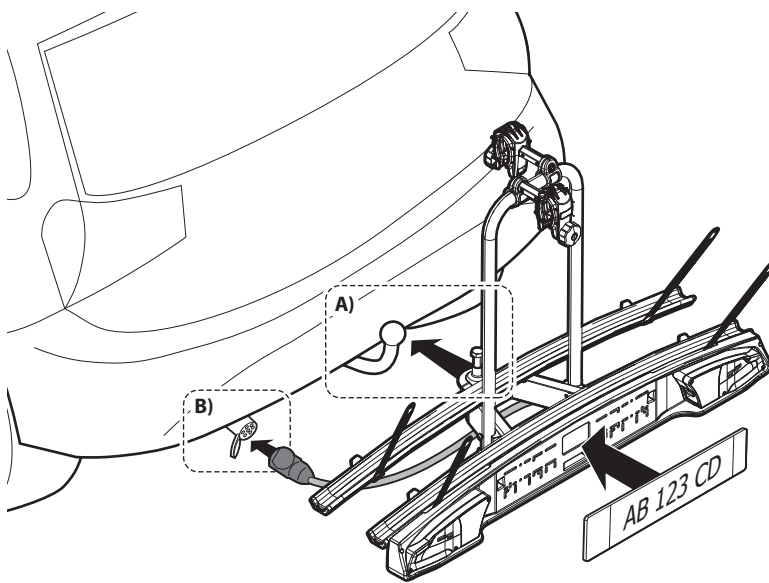
pag.13



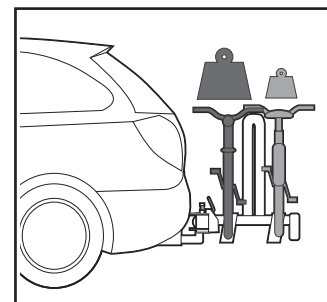
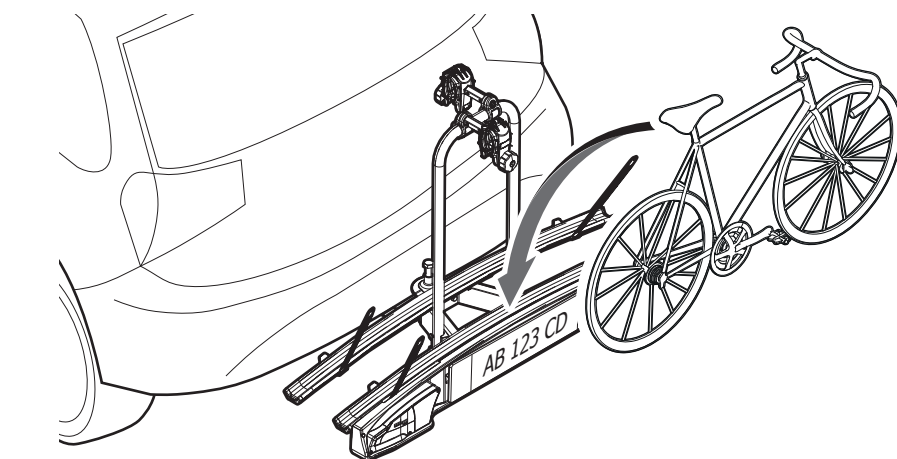
TYPE Q



TYPE S / TYPE K



10 TYPE S / TYPE K / TYPE Q



● **MIN** Ø30 mm / 1,2"
MAX Ø50 mm / 2"
● **MIN** 30x60 mm / 1,2"x2,4"
MAX 50x70 mm / 2"x 2,7"



MIN 22"
MAX 29"

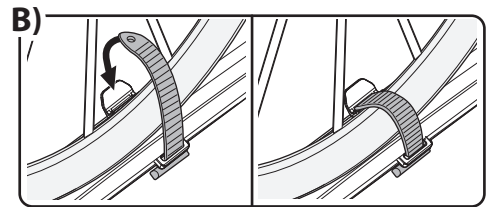
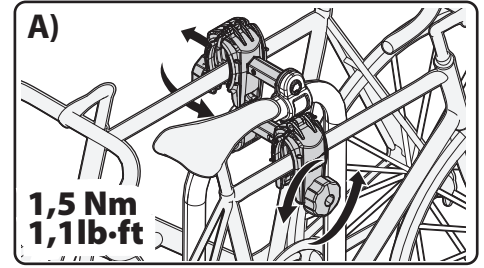
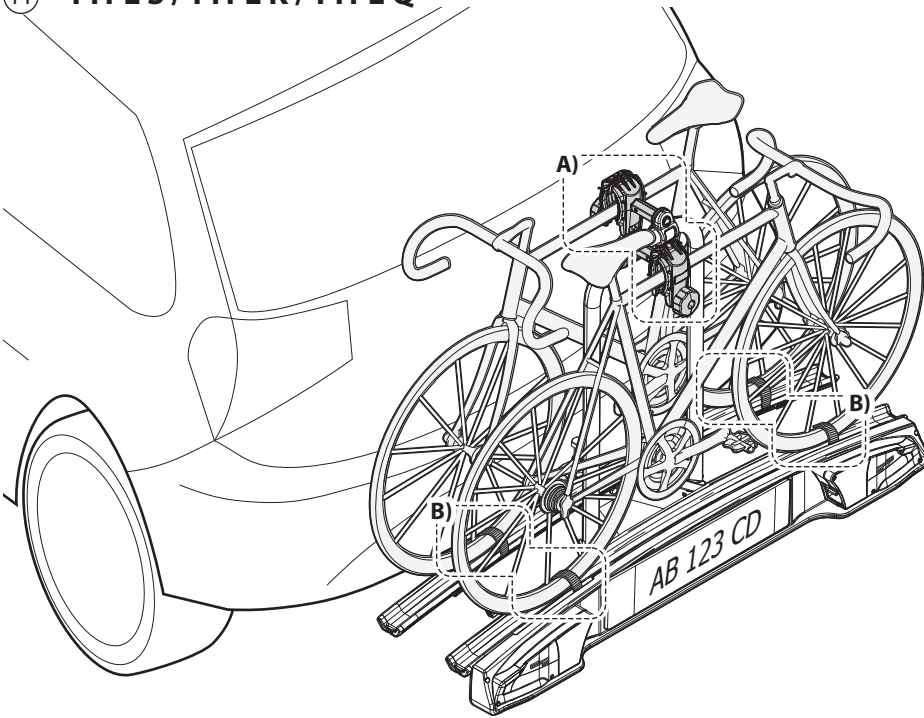


MAX 65mm / 2.5"




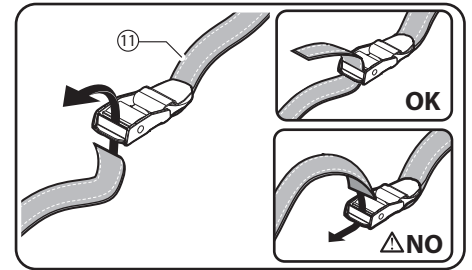
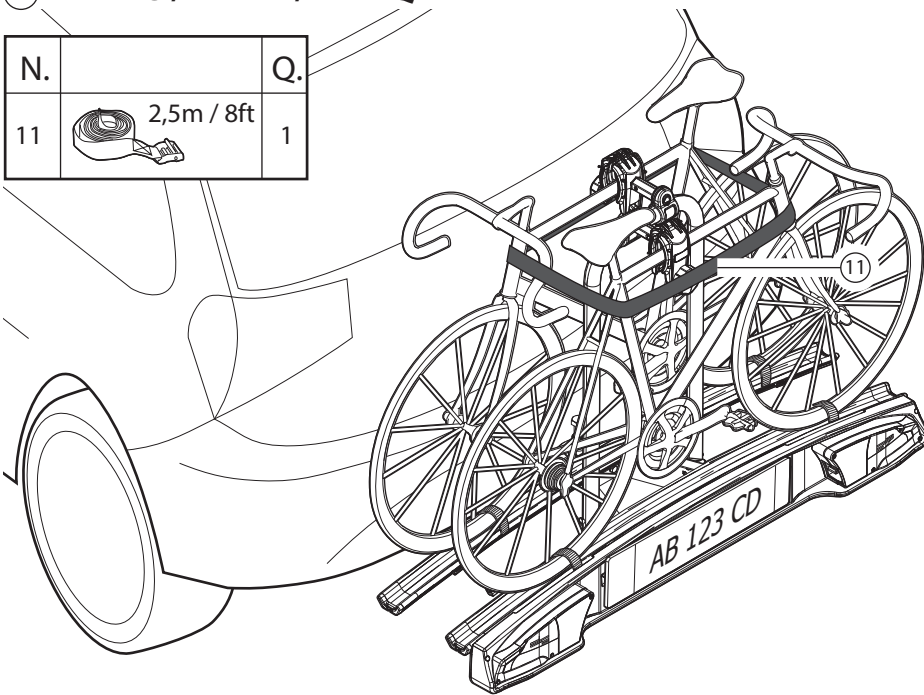
MAX 1260mm / 49,6"

11 TYPE S / TYPE K / TYPE Q

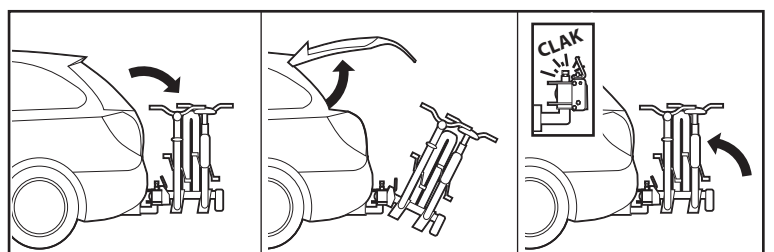
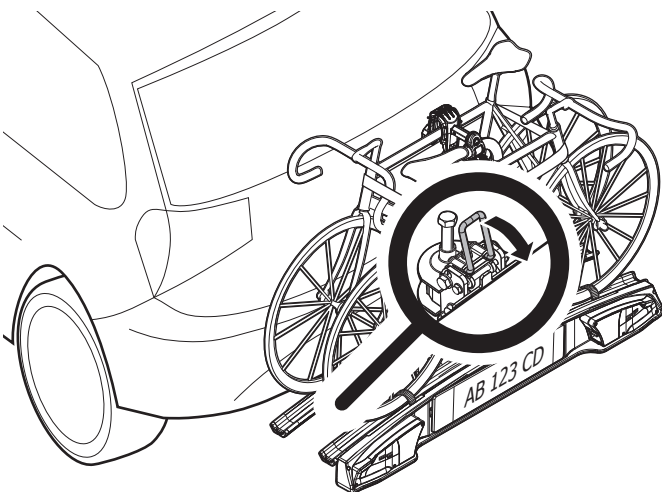


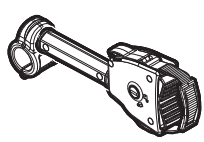
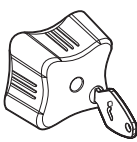
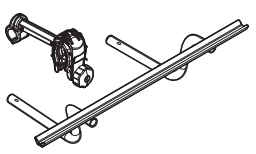
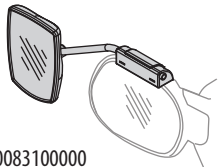
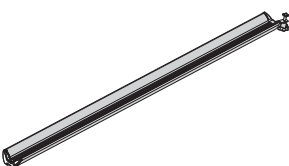
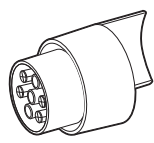
12 TYPE S / TYPE K / TYPE Q








N.		Q.
11	 2,5m / 8ft	1




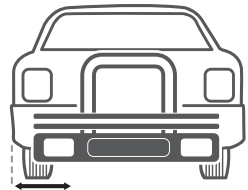

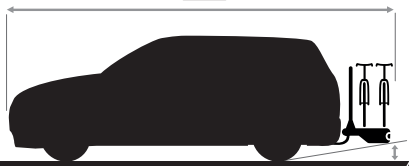


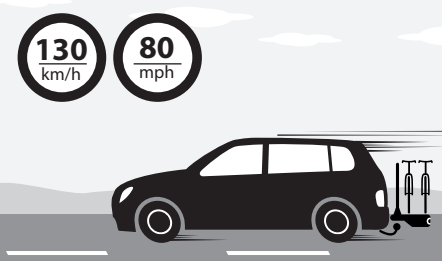


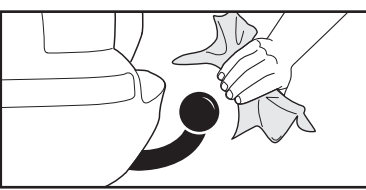



TYPE K / TYPE Q



OPTIONAL		
BRACCETTO CORTO  Art.000103900000	POMELLO ANTIFURTO  Art.000026400000	KIT 2+1  Art.000117800000
EVIDENCE MIRROR  Art.000083100000	RAMPA  Art.000082100000	ADATTATORE 7 PIN  Art.700016400000

MAX  94/20/CE STANDARD	 Type S	 Type K	 Type Q	Standard	x2	E-bike	x1	
					OR		MAX 25kg - 55lb	
50 kg - 110,2lb							45kg / 99lb	
60 kg - 132,3lb							45kg / 99lb	
70 kg - 154,3lb	9,6 kg / 21lb	10,6 kg / 23.3lb	11,7 kg / 25.8lb				45kg / 99lb	
80 kg - 176,4lb							45kg / 99lb	
>80 kg - 176,4lb							45kg / 99lb	

 No Tandem 	  40 cm - 15,7"	 
---	---	--

	 SPEED 	
	 SPEED 	

F.lli Menabò S.r.l.

Via 8 Marzo, 3
42025 Cavriago (RE) Italy
Tel. +39-0522/942840
Fax. +39-0522/942948
e-mail: info@flli-menabo.it
www.menabocaraccessories.com

Cod.Istr.	Data	Creato da	Approvato da
500034100001	07/05/2020	NP	EL