

# MENABO

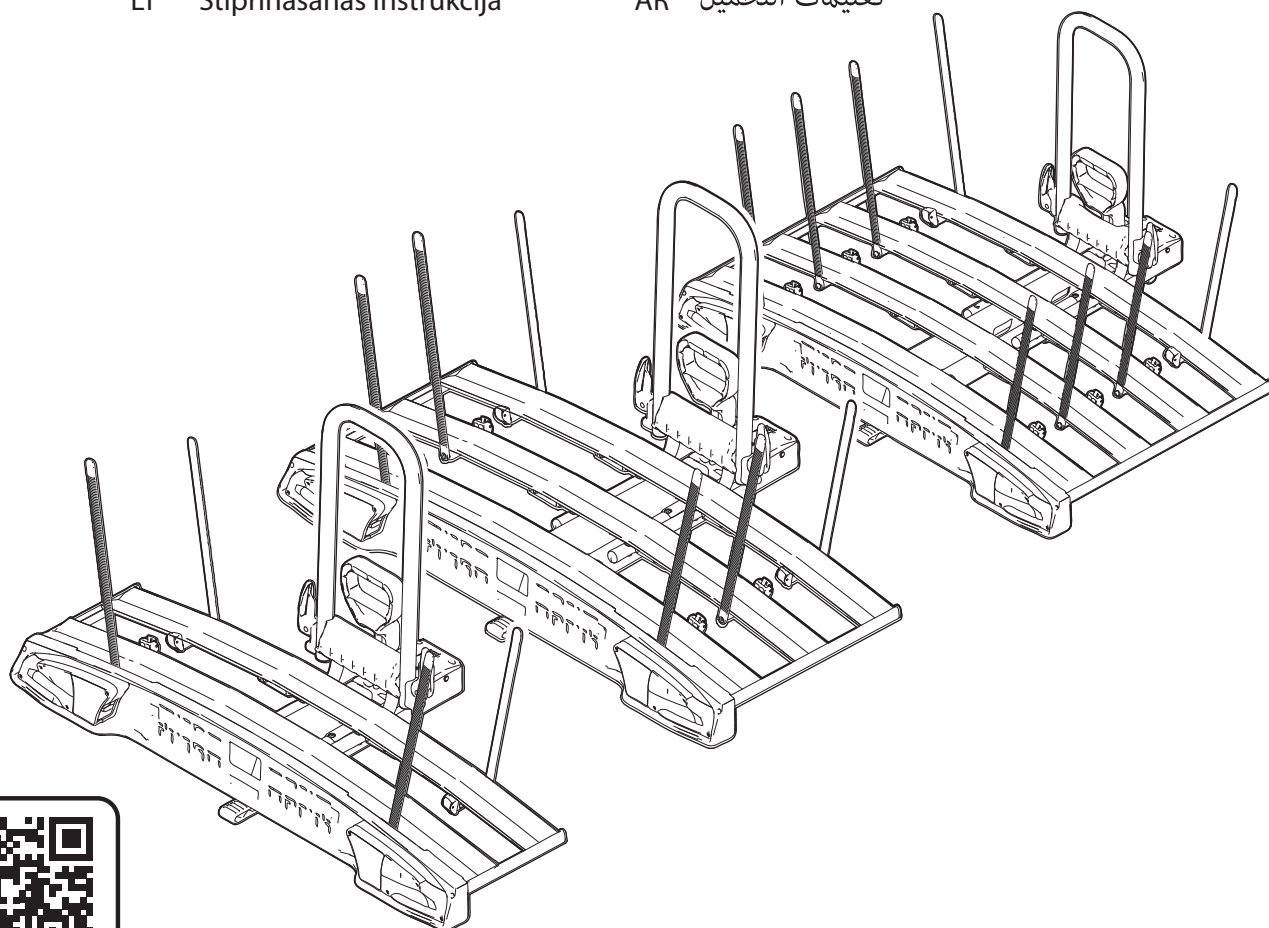
free time on the move

**ALCOR 2**  
**ALCOR 3**  
**ALCOR 4**

**ACRUX 2**  
**ACRUX 3**  
**ACRUX 4**

IT Istruzioni di montaggio  
EN Fitting instructions  
DE Montageanleitung  
FR Instructions de montage  
ES Instrucciones de montaje  
CS Návod na montáž  
DA Monteringsvejledning  
EL Οδηγίες συναρμολόγησης  
ET Paigaldusjuhend  
FI Asennusohje  
HR Uputa za sastavljanje  
HU A felszerelés módja  
LT Stiprināšanas instrukcija

LV Pritvirtinimo instrukcijos  
NL Instrukcja montażu  
NO Monteringsveiledning  
PL Instrukcja montażu  
PT Instruções de Montagem  
RO Instrucțiuni de montare  
RU Инструкции по установке  
SK Návod na montáž  
SL Navodila za pritrjevanje  
SV Monteringsanvisning  
TK Uydurma talimat  
ZH 裝修指導  
AR تعليمات التجميع



▶ Watch video

Made in Italy



**ALCOR 2  
ACRUX 2**

N	[IT]Componenti (Inclusi) [EN]Components (Included) [FR]Composants (Comprises)	[DE]Die Komponenten (im Lieferumfang enthalten) [ES]Componentes (Incluido)	Q
1a			1
2			1
3		M6x30	2
4			1
5			1
6			6
7			1
8		2,5m/8.2ft	1
12		5mm/0.2"	1
13		M6	2
14		XXXX	2

N	[IT]Ricambi (A Richiesta) [EN]Spare Parts (Made to order) [FR]Pièces de rechange (Sur commande)	[DE]E Teile (auf Anfrage) [ES]Piezas de recambio (Previa solicitud)	Q	Codice-Code-Código
2			1	700036300000
3		M6x30	2	
13		M6	2	
4			1	700003200000
5			1	700003100000
6			2	700024000000
7			1	700033600000
8		2,5m/8.2ft	1	700001100000
10		dx	1	700033700000
11		sx	1	700033800000
12		5mm/0.2"	1	700025000000

**ALCOR 3  
ACRUX 3**

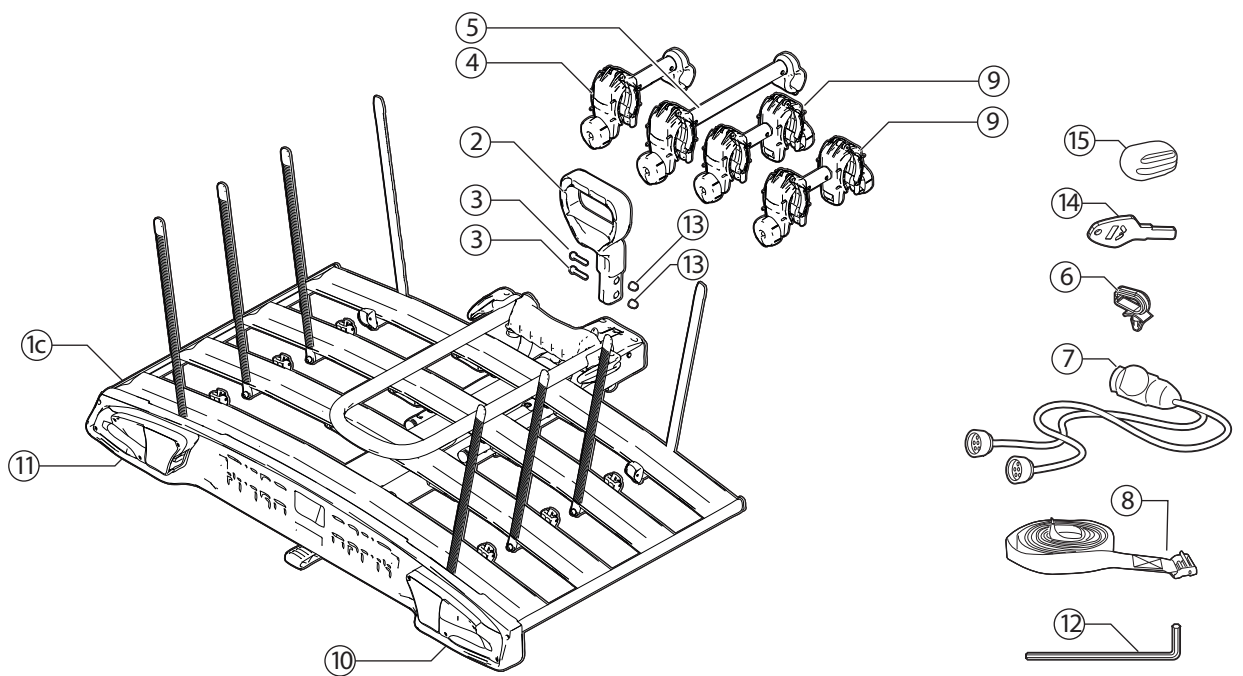
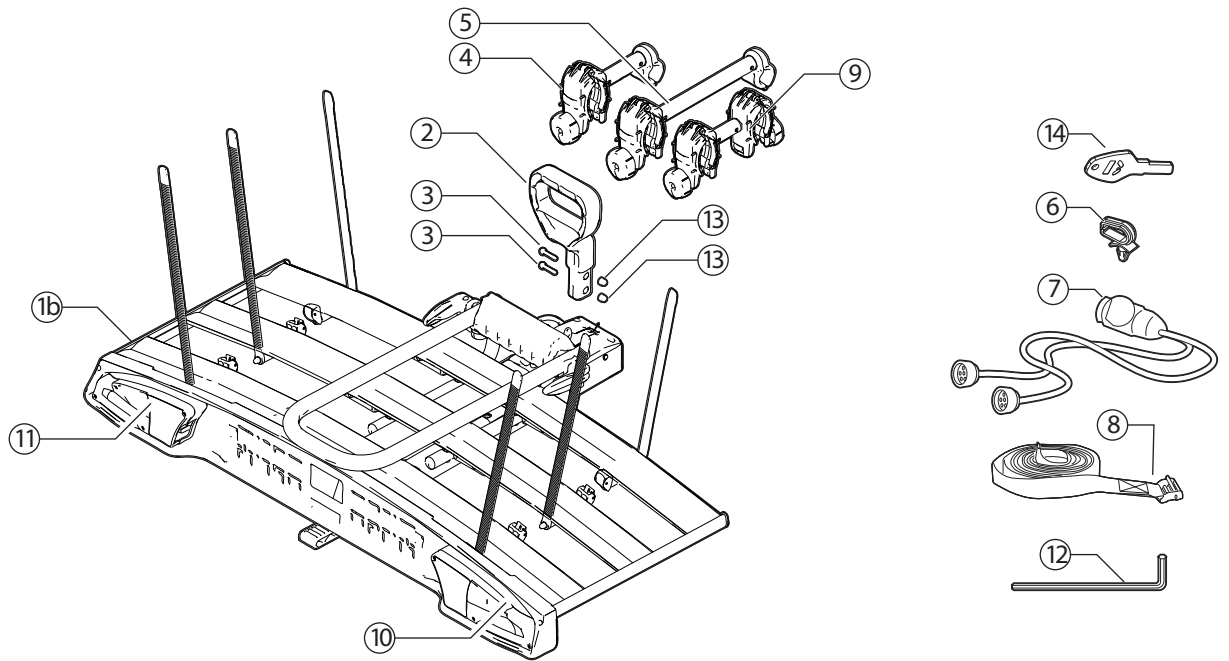
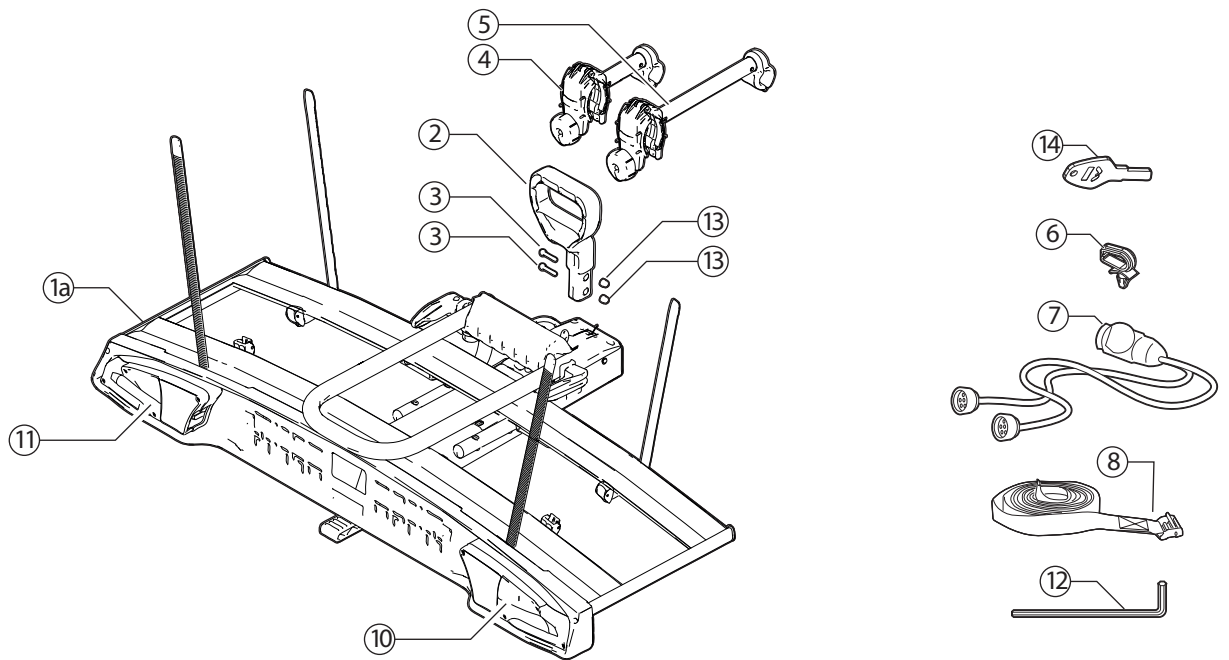
N	[IT]Componenti (Inclusi) [EN]Components (Included) [FR]Composants (Comprises)	[DE]Die Komponenten (im Lieferumfang enthalten) [ES]Componentes (Incluido)	Q
1b			1
2			1
3		M6x30	2
4			1
5			1
9			1
6			6
7			1
8		2,5m/8.2ft	1
12		5mm/0.2"	1
13		M6	2
14		XXXX	2

N	[IT]Ricambi (A Richiesta) [EN]Spare Parts (Made to order) [FR]Pièces de rechange (Sur commande)	[DE]E Teile (auf Anfrage) [ES]Piezas de recambio (Previa solicitud)	Q	Codice-Code-Código
2			1	700036300000
3		M6x30	2	
13		M6	2	
4			1	700003200000
5			1	700003100000
9			1	700006900000
6			2	700024000000
7			1	700033600000
8		2,5m/8.2ft	1	700001100000
10		dx	1	700033700000
11		sx	1	700033800000
12		5mm/0.2"	1	700025000000


**ALCOR 4  
ACRUX 4**

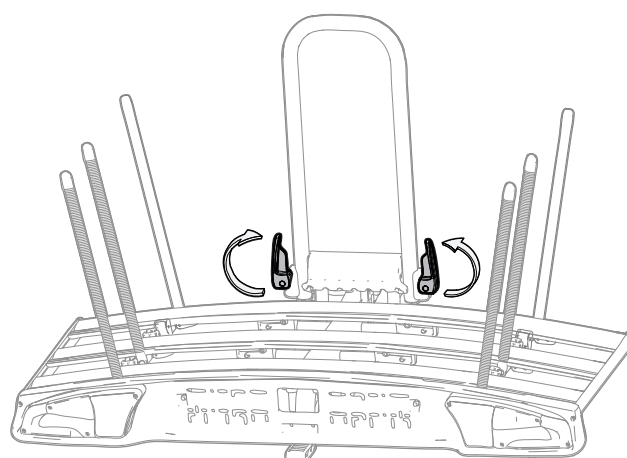
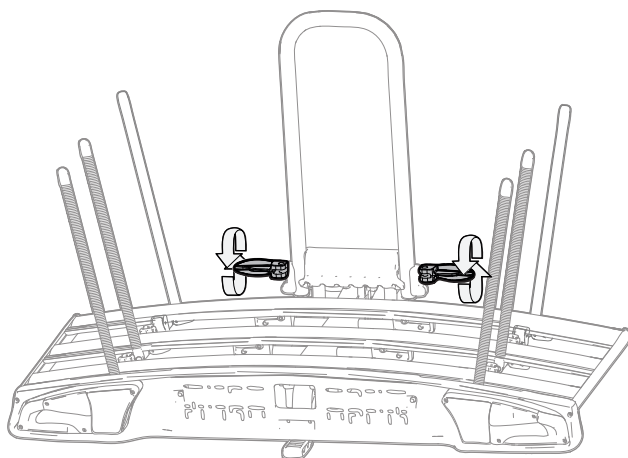
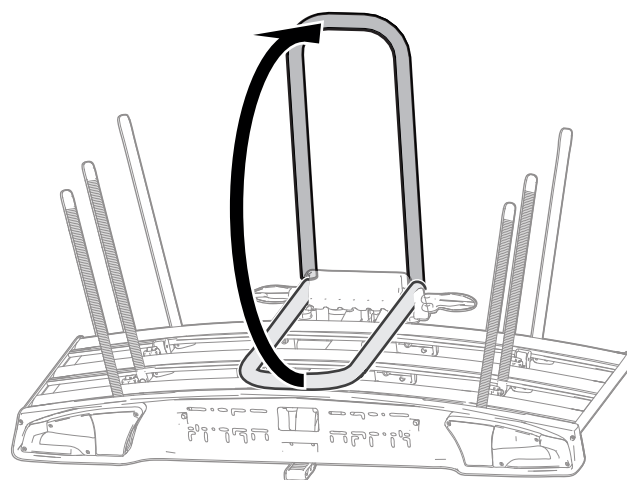
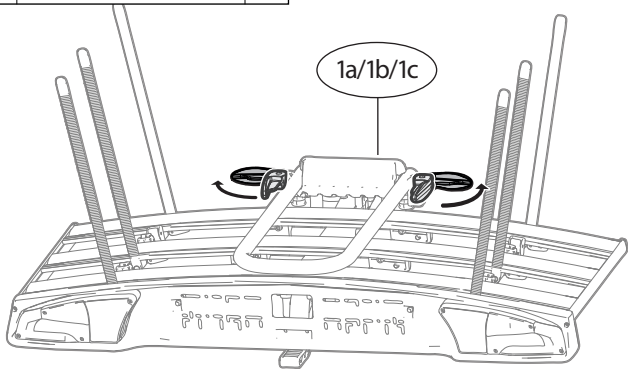
N	[IT]Componenti (Inclusi) [EN]Components (Included) [FR]Composants (Comprises)	[DE]Die Komponenten (im Lieferumfang enthalten) [ES]Componentes (Incluido)	Q
1c			1
2			1
3		M6x30	2
4			1
5			1
9			2
6			6
7			1
8		2,5m/8.2ft	3
12		5mm/0.2"	1
13		M6	2
14		XXXX	2
15			2

N	[IT]Ricambi (A Richiesta) [EN]Spare Parts (Made to order) [FR]Pièces de rechange (Sur commande)	[DE]E Teile (auf Anfrage) [ES]Piezas de recambio (Previa solicitud)	Q	Codice-Code-Código
2			1	700036300000
3		M6x30	2	
13		M6	2	
4			1	700003200000
5			1	700003100000
9			2	700006900000
6			2	700024000000
7			1	700033600000
8		2,5m/8.2ft	1	700001100000
10		dx	1	700033700000
11		sx	1	700033800000
12		5mm/0.2"	1	700025000000
15			4	700002600000







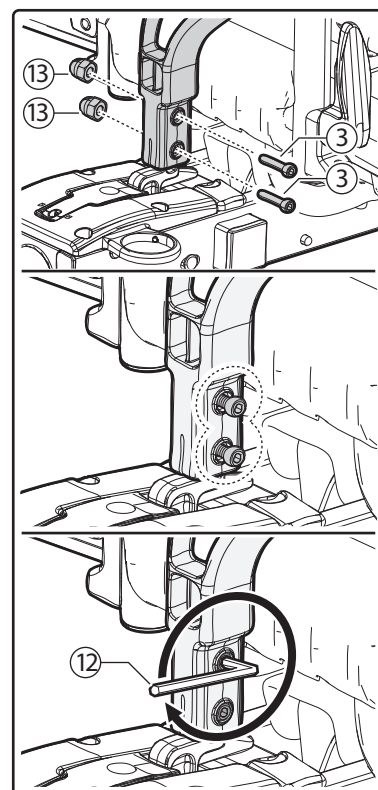
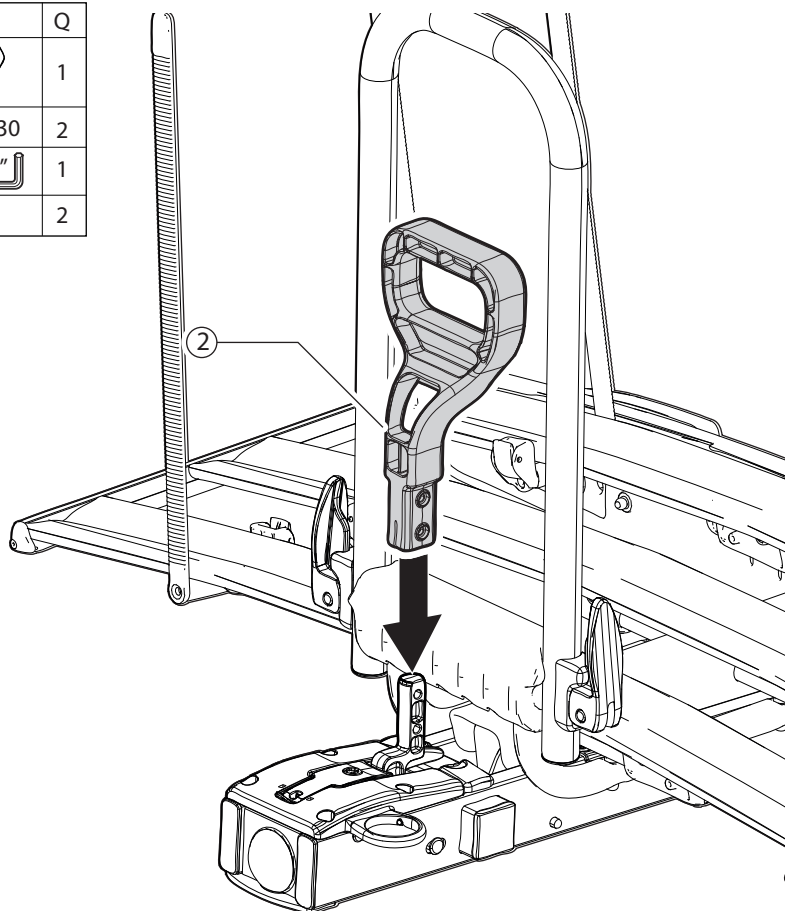
①—ALCOR 2-/ALCOR 3-/ALCOR 4-/ACRUX-2-/ACRUX-3-/ACRUX-4

N		Q
1a 1b 1c		1

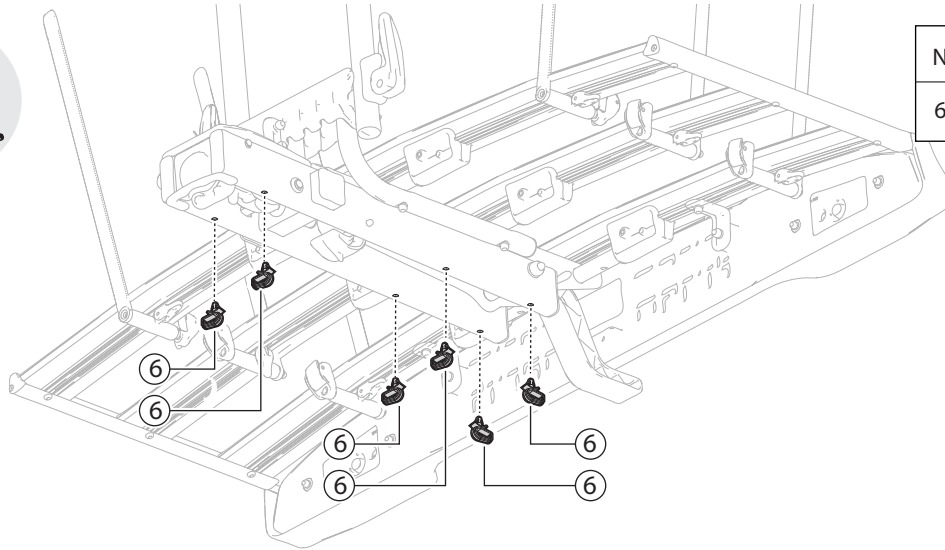


②—ALCOR 2-/ALCOR 3-/ALCOR 4-/ACRUX-2-/ACRUX-3-/ACRUX-4

N		Q
2		1
3	 M6x30	2
12	 5mm/0.2"	1
13	 M6	2

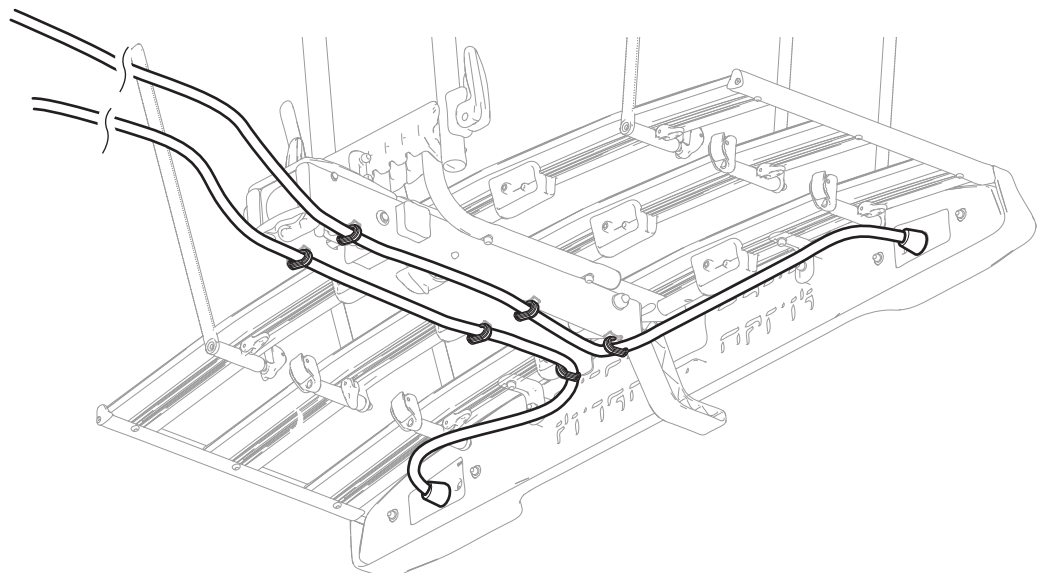
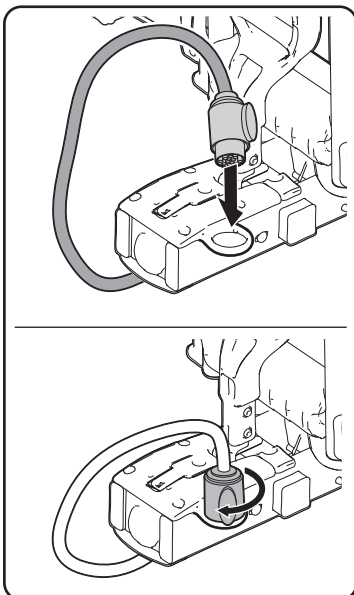
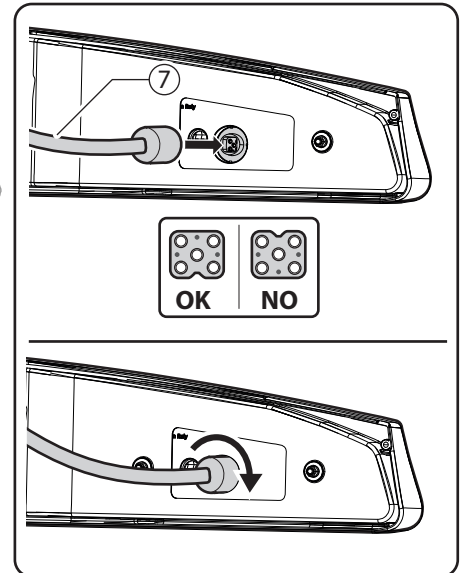
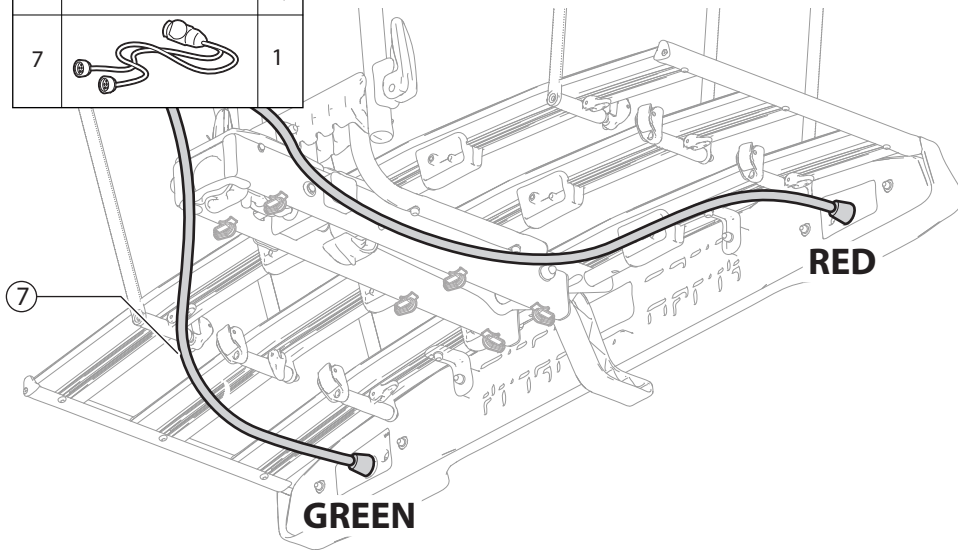


③ —ALCOR 2-/ALCOR 3-/ALCOR 4-/ACRUX 2-/ACRUX 3-/ACRUX 4—

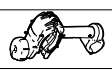



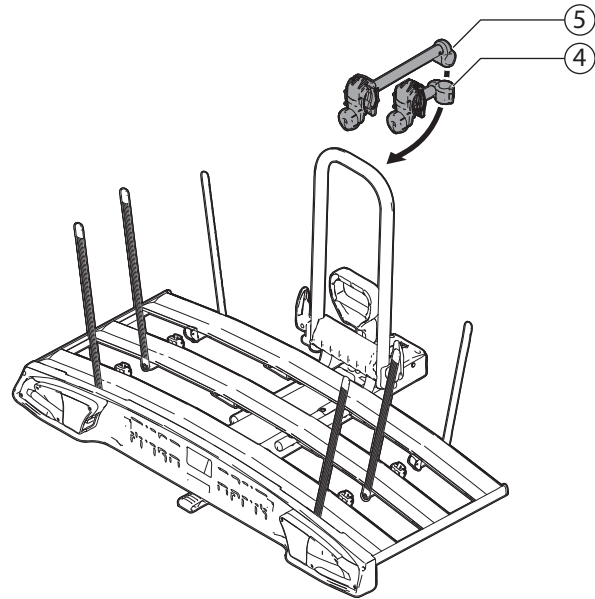
N		Q
6		6

N		Q
7		1

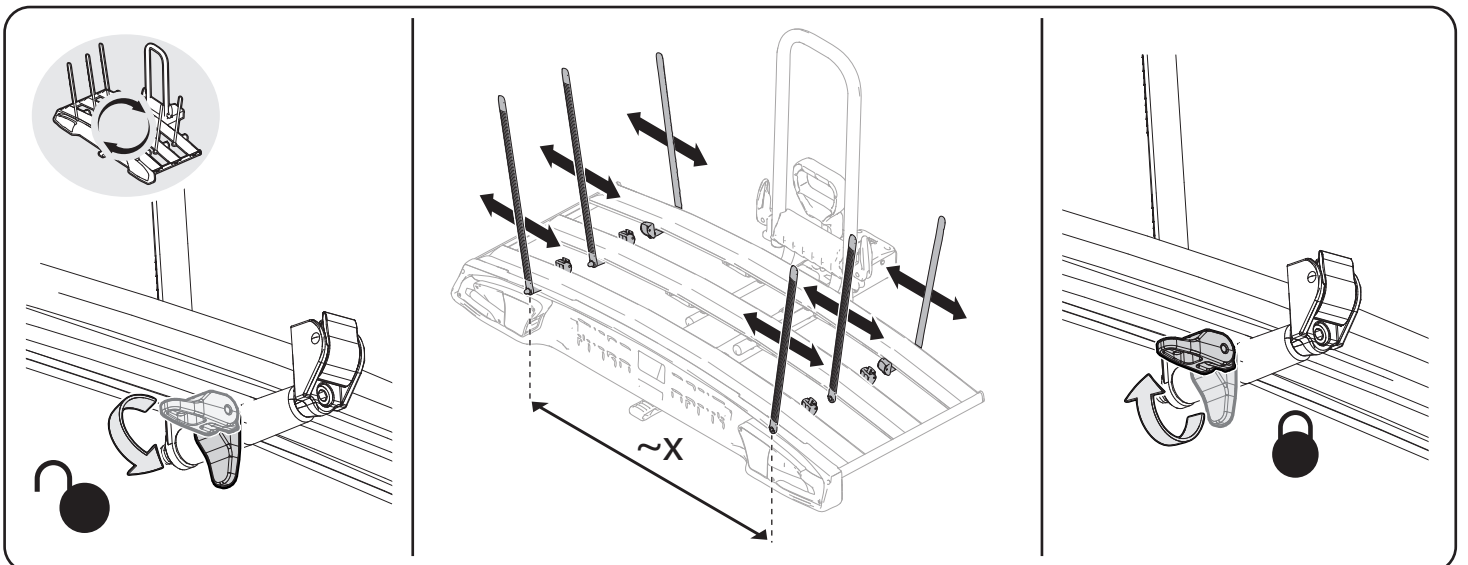
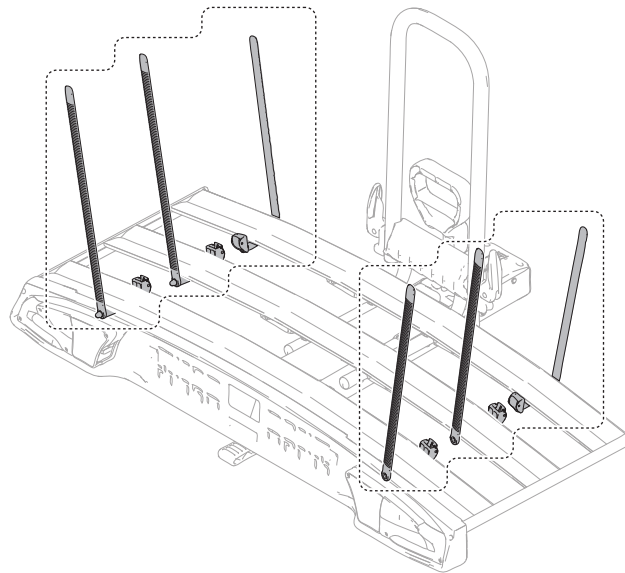
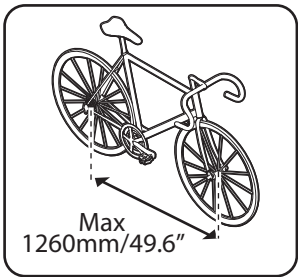


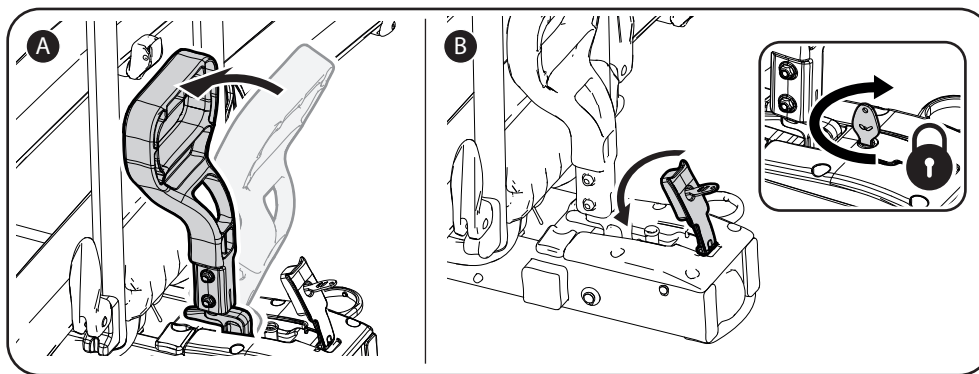
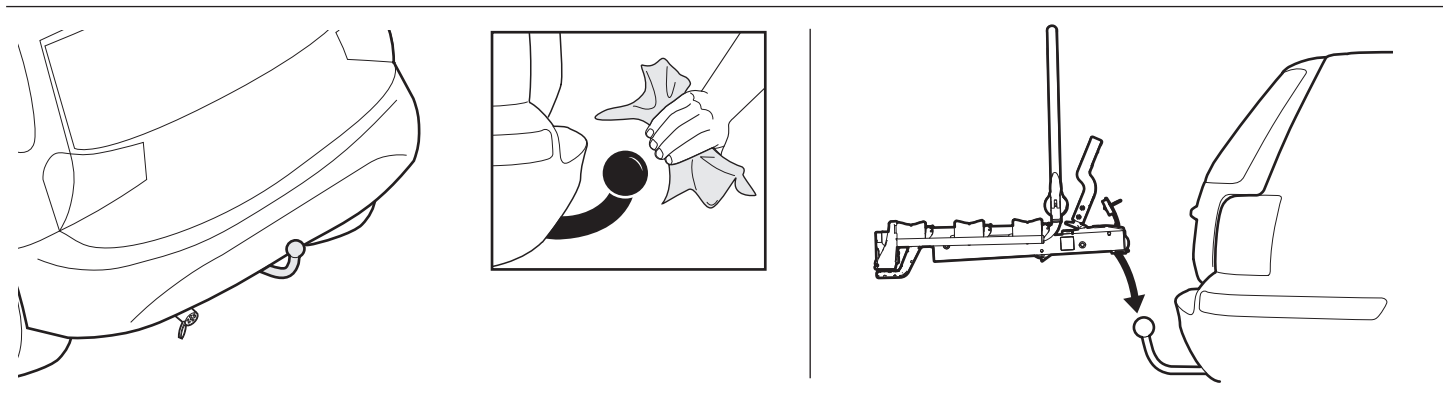
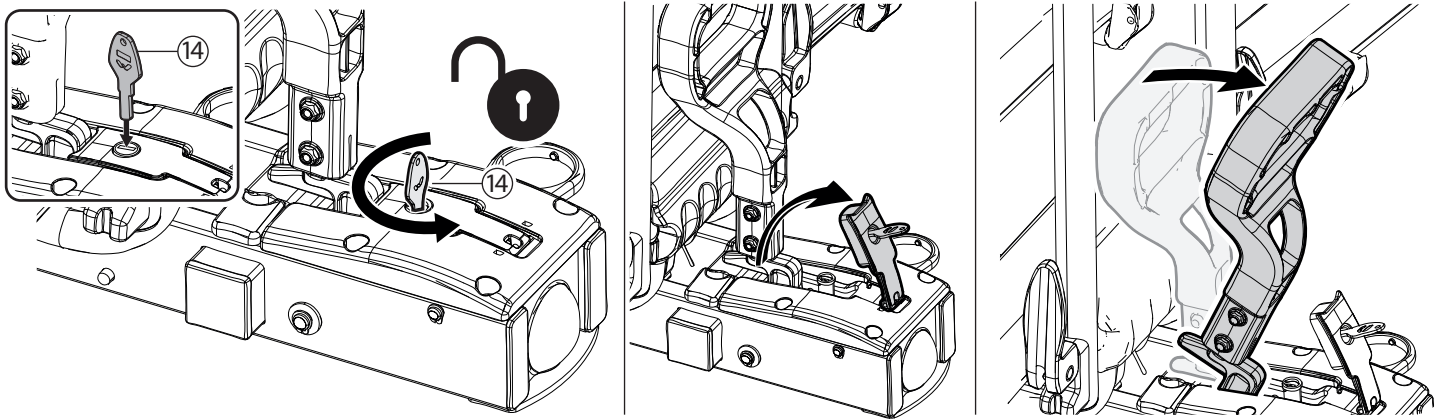
④—ALCOR 2-/ALCOR 3-/ALCOR 4-/ACRUX 2-/ACRUX 3-/ACRUX 4—

N		Q
4		1
5		1



⑤—ALCOR 2-/ALCOR 3-/ALCOR 4-/ACRUX 2-/ACRUX 3-/ACRUX 4—

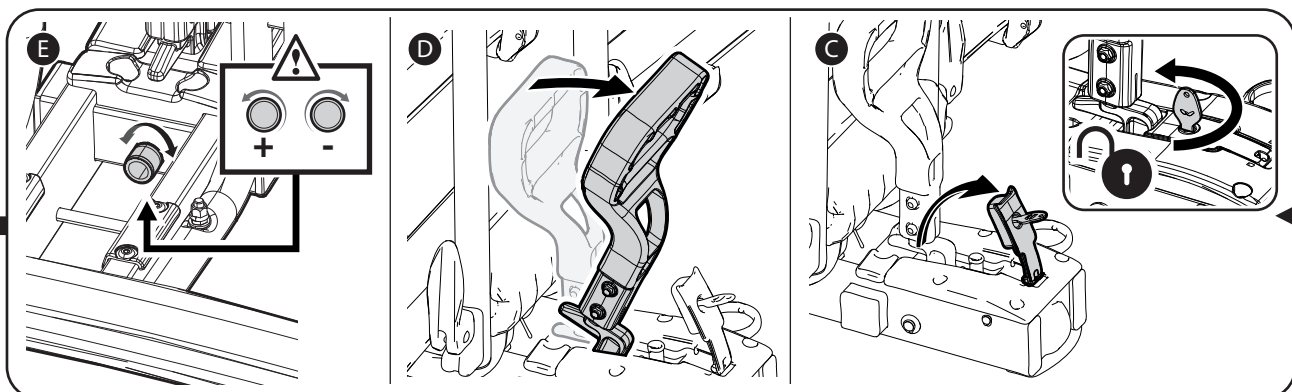


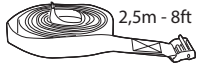



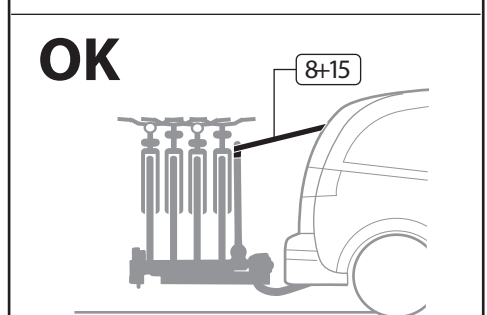
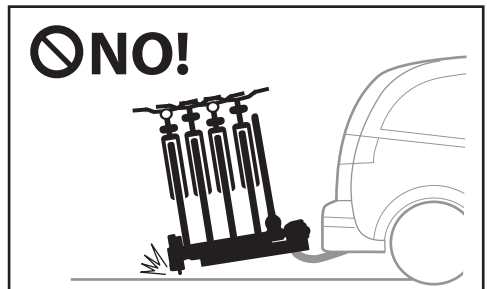
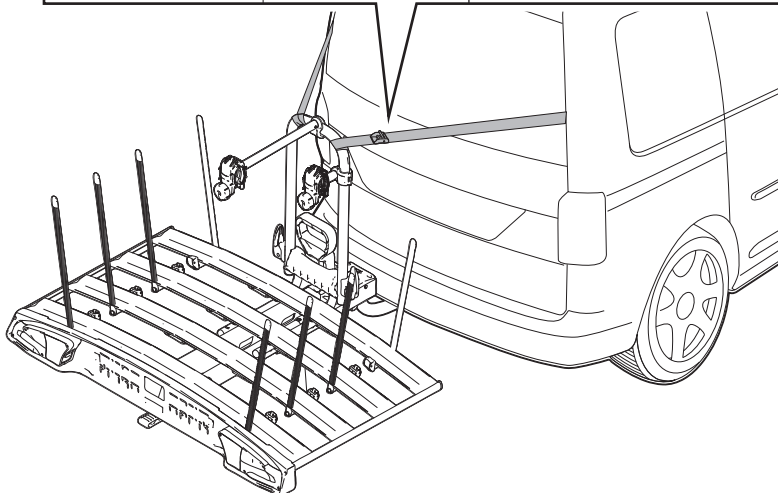
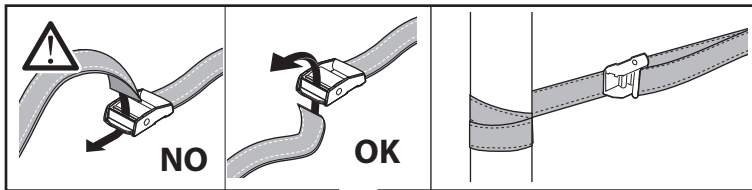
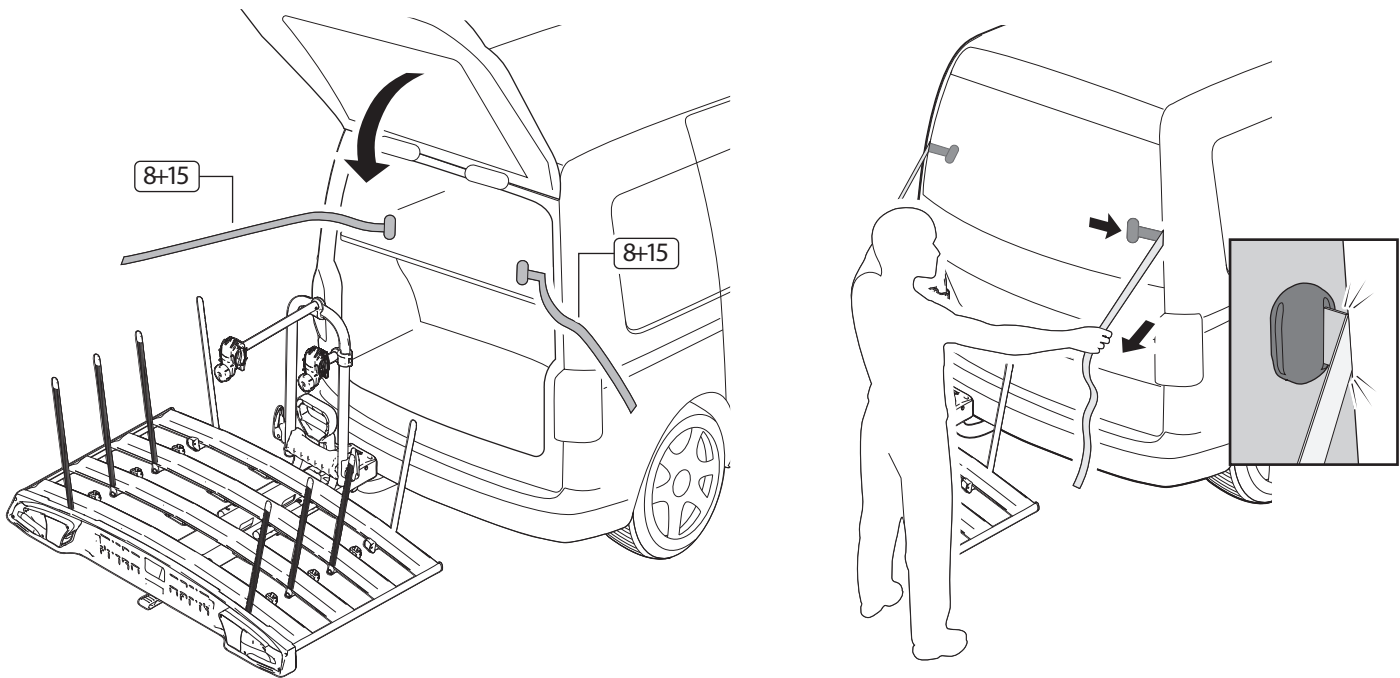
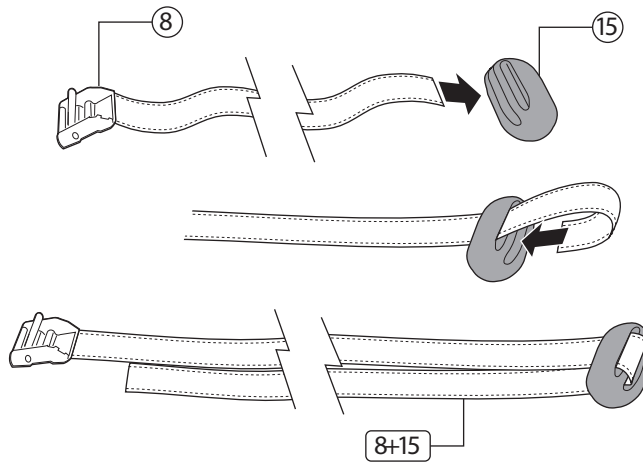
pag.8


**OK**

**NO**



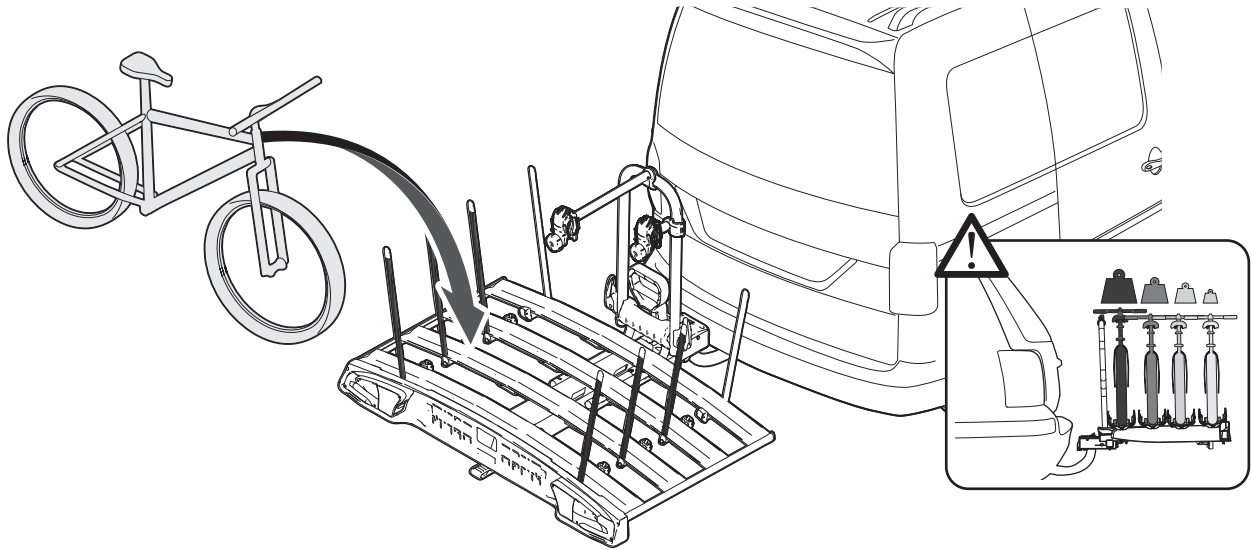
N.		Q.
8	 2,5m - 8ft	2
15		2



 **OBBLIGATORIO - OBLIGATORY - OBLIGATOIRE  
OBLIGATORISCH - OBLIGATORIO**

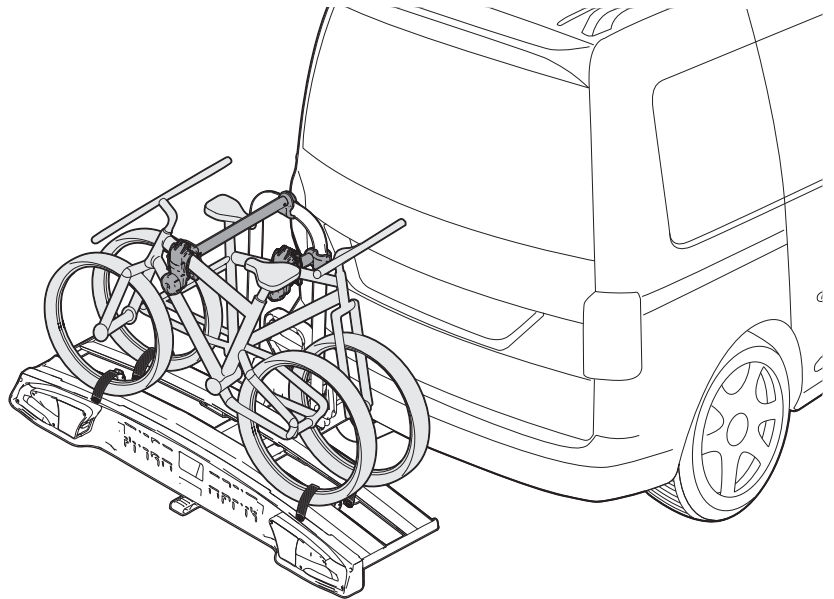
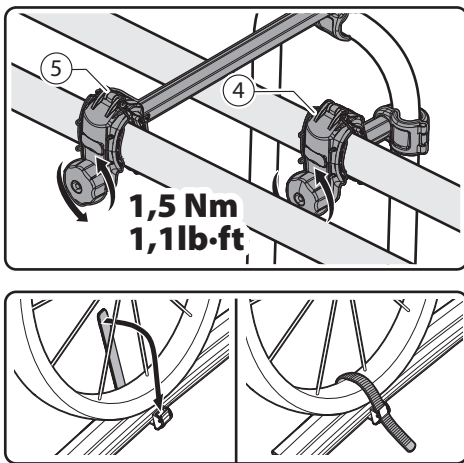


⑧—ALCOR 2 / ALCOR 3 / ALCOR 4 / ACRUX 2 / ACRUX 3 / ACRUX 4

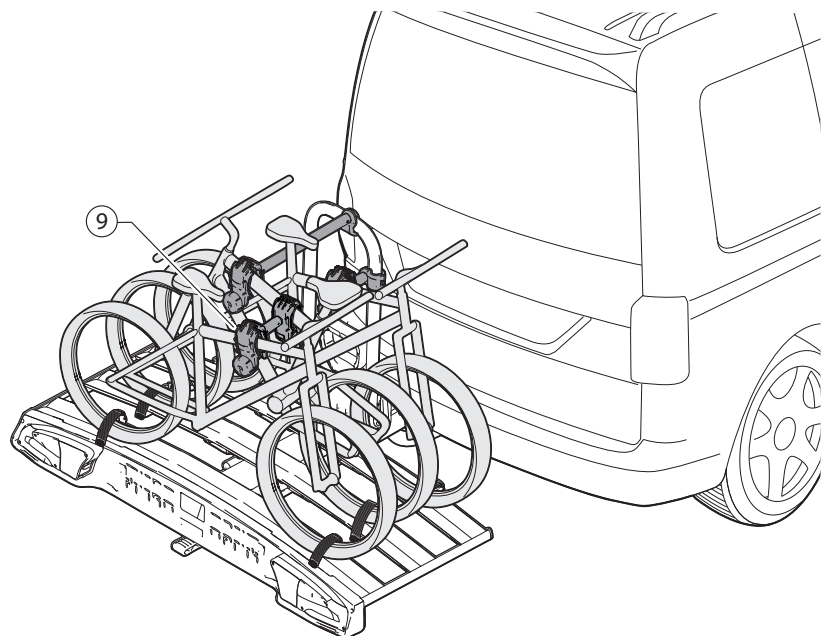
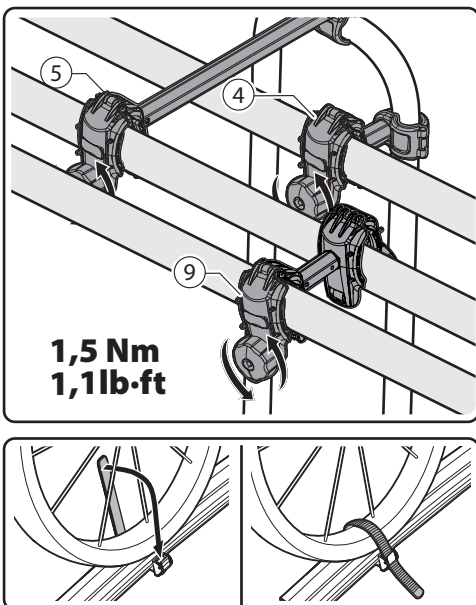


			MIN Ø30 mm / 1.2" MAX Ø50 mm / 2"		MIN 22" MAX 29"		MAX 110mm / 4.3"		MAX 1260mm / 49.6"
		MIN 30x60 mm / 1.2"x2.4" MAX 50x70 mm / 2"x2.7"							

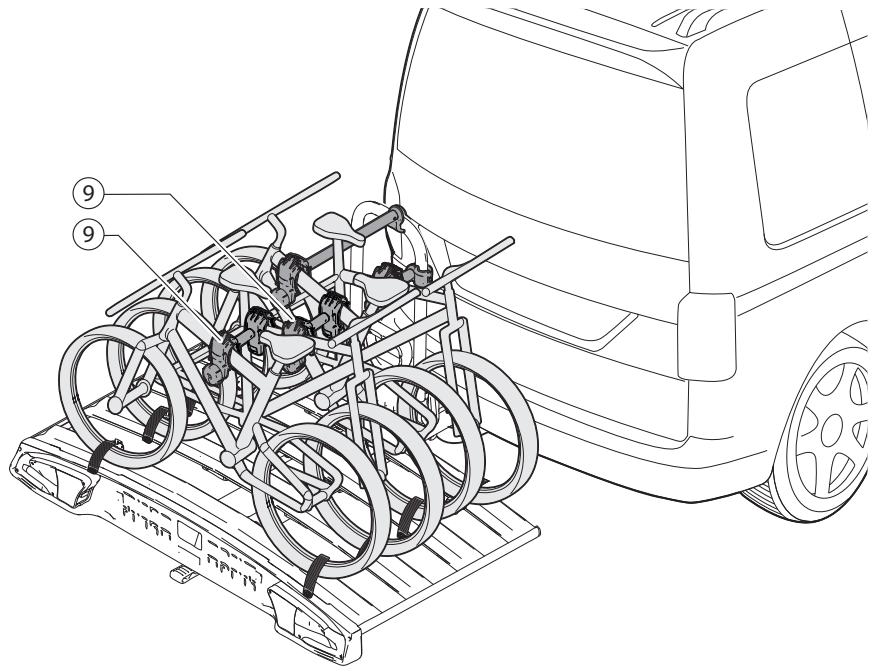
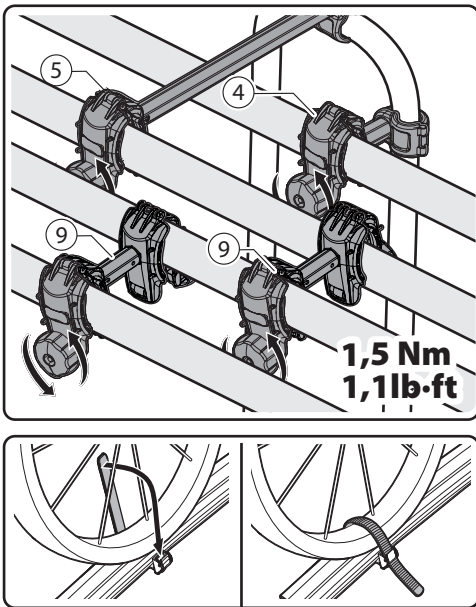
⑨a—ALCOR 2 / ACRUX 2



⑨b—ALCOR 3 / ACRUX 3

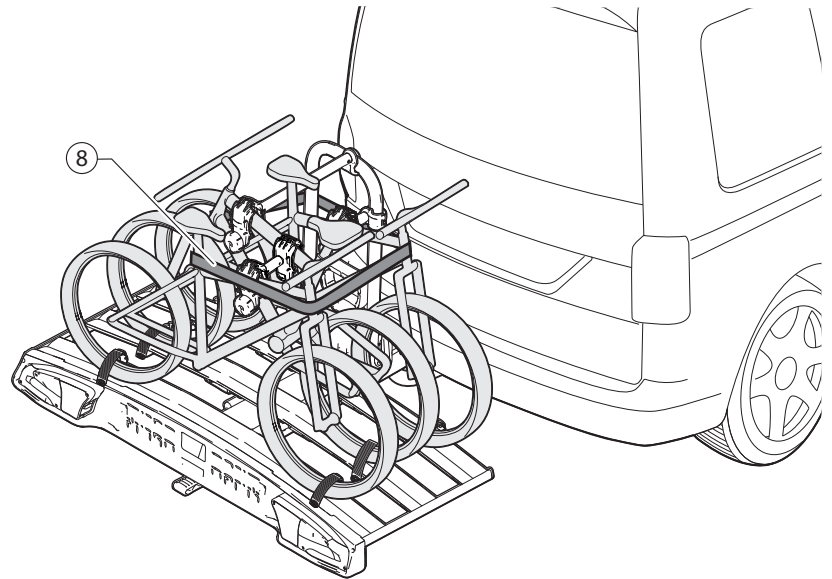


9c — ALCOR 4 / ACRUX 4

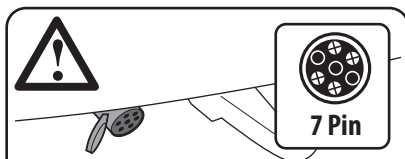
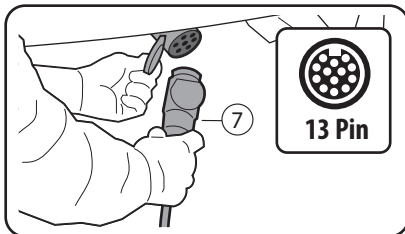


10 — ALCOR 2 / ALCOR 3 / ALCOR 4 / ACRUX 2 / ACRUX 3 / ACRUX 4

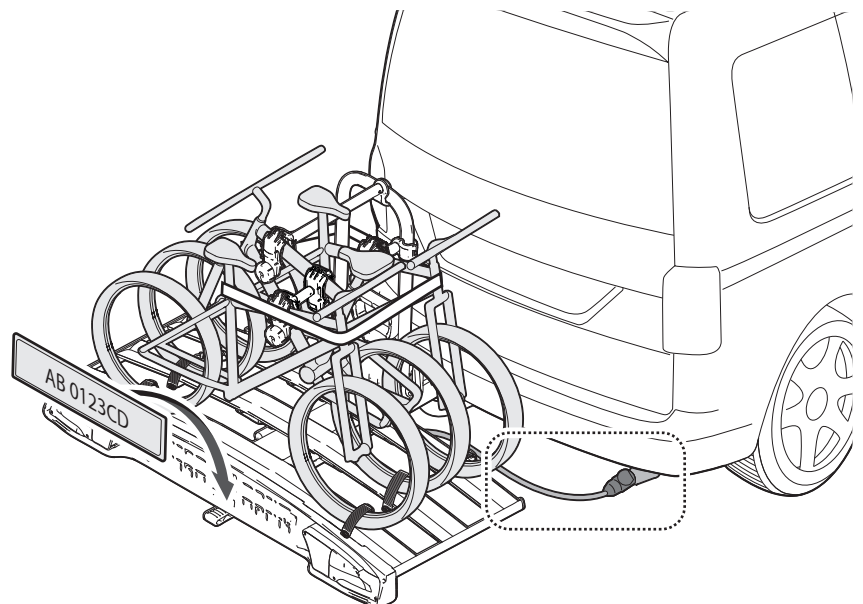
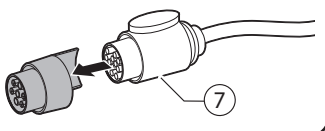
N		Q
8	2,5 m - 8,2ft	1



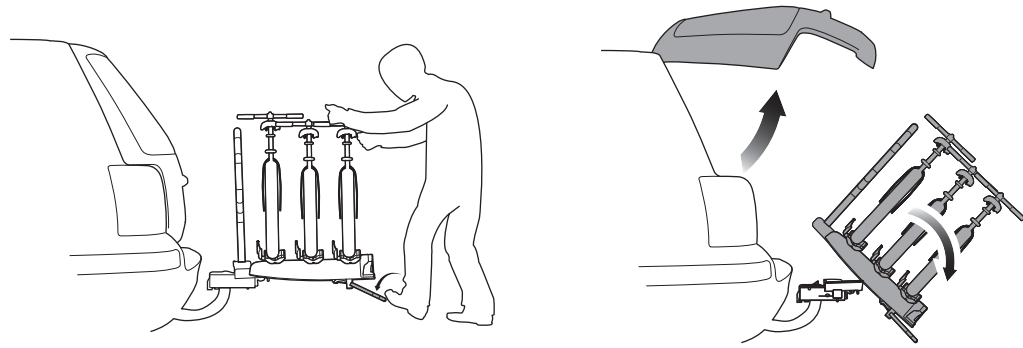
11 — ALCOR 2 / ALCOR 3 / ALCOR 4 / ACRUX 2 / ACRUX 3 / ACRUX 4



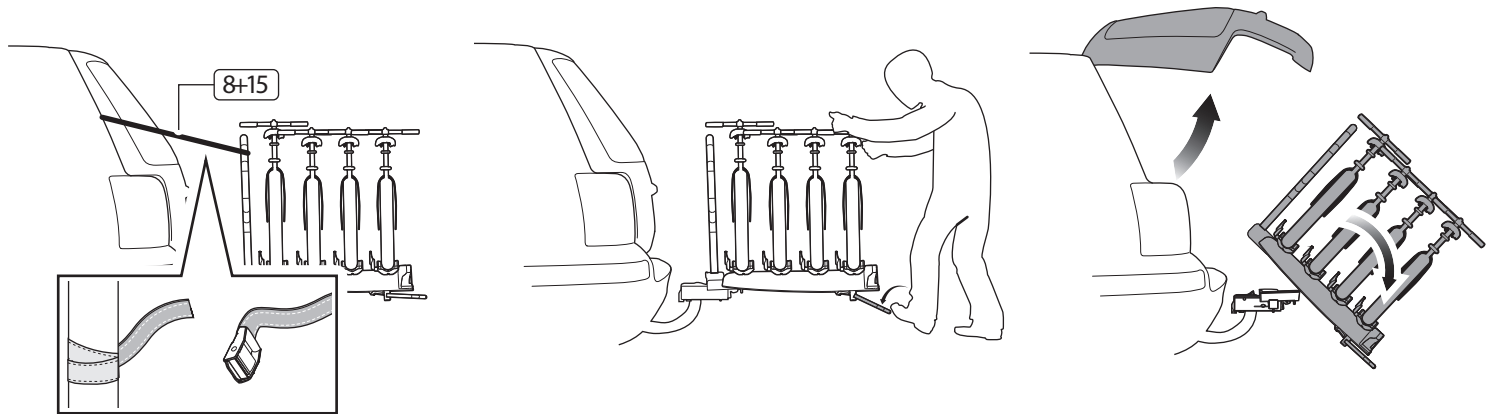
OPTIONAL cod.70001640000




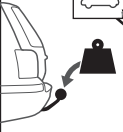






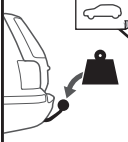


⑪—ALCOR 2-/ALCOR 3/ACRUX 2/ACRUX 3




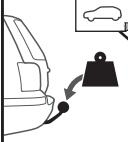




⑪—ALCOR 4/ACRUX 4

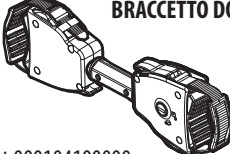
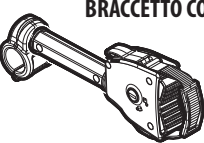
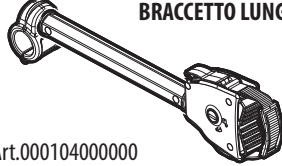
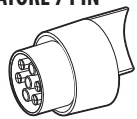
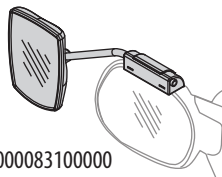
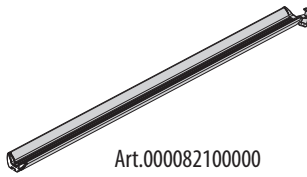
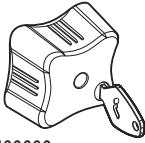


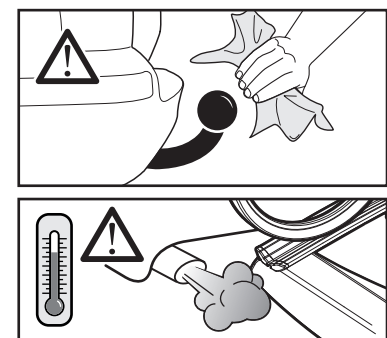
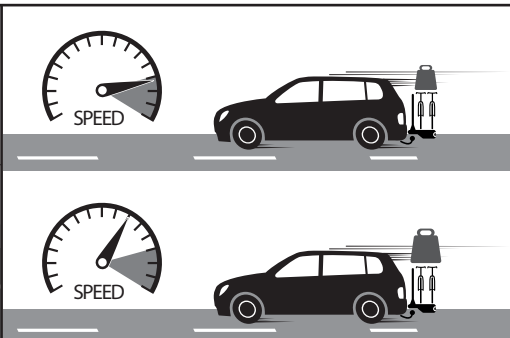
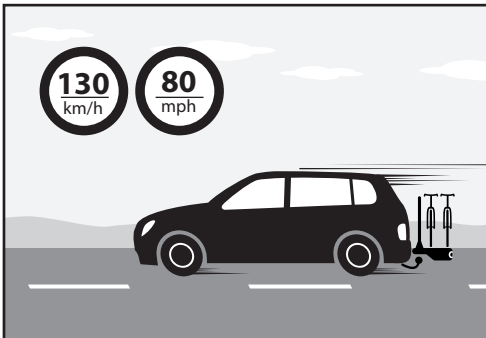
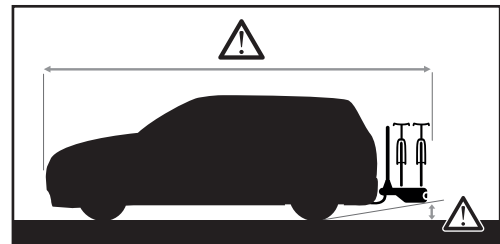
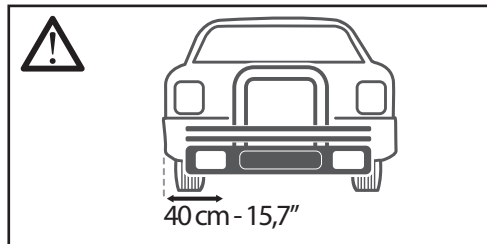
 <b>MAX</b> 94/20/CE STANDARD	 Alcor 2 / Acrux 2	Standard/E-bike x2 Fat bike	 	
		 MAX 30kg - 66,1lb		
		50 kg - 110,2lb		33,8 kg - 72,7lb
		60 kg - 132,3lb		43,8 kg - 94,8lb
		70 kg - 154,3lb		53,8 kg - 117lb
80 kg - 176,4lb	60 kg - 132,3lb			
>80 kg - 176,4lb	60 kg - 132,3lb			

 <b>MAX</b> 94/20/CE STANDARD	 Alcor 3 / Acrux 3	Standard x3	E-bike x2 Fat bike	 	
			OR		
		MAX 20kg - 44,1lb			MAX 30kg - 66,1lb
		50 kg - 110,2lb	32 kg - 70,5lb		
		60 kg - 132,3lb	42 kg - 92,6lb		
70 kg - 154,3lb	52 kg - 114,6lb				
80 kg - 176,4lb	60 kg - 132,2lb				
>80 kg - 176,4lb	60 kg - 132,2lb				

 <b>MAX</b> 94/20/CE STANDARD	 Alcor 4 / Acrux 4	Standard x4	E-bike x2 Fat bike	 	
			OR		
		MAX 15kg - 33lb			MAX 30kg - 66,1lb
		50 kg - 110,2lb	30,2 kg - 66,6lb		
		60 kg - 132,3lb	40,2 kg - 88,6lb		
70 kg - 154,3lb	50,2 kg - 110,6lb				
80 kg - 176,4lb	60 kg - 132,2lb				
>80 kg - 176,4lb	60 kg - 132,2lb				

## OPTIONAL

 <p><b>BRACCETTO DOPPIO</b></p> <p>Art.000104100000</p>	 <p><b>BRACCETTO CORTO</b></p> <p>Art.000103900000</p>	 <p><b>BRACCETTO LUNGO</b></p> <p>Art.000104000000</p>	 <p><b>ADATTATORE 7 PIN</b></p> <p>Art.700016400000</p>
 <p><b>EVIDENCE MIRROR</b></p> <p>Art.000083100000</p>	 <p><b>RAMPA</b></p> <p>Art.000082100000</p>	 <p><b>POMELLO ANTIFURTO</b></p> <p>Art.000026400000</p>	



**F.lli Menabò S.r.l.**  
 Via 8 Marzo, 3  
 42025 Cavriago (RE) Italy  
 Tel. +39-0522/942840  
 Fax. +39-0522/942948  
 e-mail: info@flli-menabo.it  
 www.menabocaraccessories.com

Cod.Istr.	Data	Creato da	Approvato da
500031400001	24/04/2020	NP	EL